



| | TYPE M1-MINI | TYPE M2-STANDARD | TYPE M3-HIGH FLOW |
|---|-----------------------------|-----------------------------|--|
| FILTERS | | | |
| Port Size | 1/8", 1/4" NPT | 1/4", 3/8", 1/2" NPT | 3/4", 1" NPT |
| Filtration (micron) | 5μ, 25μ, 50μ | 5μ, 25μ, 50μ | 5μ, 25μ, 50μ |
| Maximum Supply Pressure | 1.0 MPa | 1.0 MPa | 1.0 MPa |
| | 10 BAR | 10 BAR | 10 BAR |
| | 145 psi | 145 psi | 145 psi |
| Temperature Range | 41°-140° F / 5°-60° C | 41°-140° F / 5°-60° C | 41°-140° F / 5°-60° C |
| Drain | Manual / Semi-Auto | Manual / Semi-Auto / Auto | Manual |
| Bowl Capacity | 0.75 inch ³ | 2.75 inch ³ | 6.71 inch ³ |
| Flow (based on 100 psi inlet pressure with 50 micron filter) | 55, 85 SCFM | 120, 120, 120 SCFM | 175, 175 SCFM |
| REGULATORS | | | |
| Effect of Supply Pressure variation (25 psig) on Outlet Pressure | < 0.2 psig (13.8 mBAR) | < 0.2 psig (13.8 mBAR) | < 0.2 psig (13.8 mBAR) |
| Exhaust Capacity (5 psig above 20 psig set point) | < 0.25 SCFM (< 7 LPM) | < 0.25 SCFM (< 7 LPM) | < 0.25 SCFM (< 7 LPM) |
| Max. Supply Pressure | 145 psig (10 BAR) | 145 psig (10 BAR) | 145 psig (10 BAR) |
| Flow Capacity at 100 psig (6.9 BAR) supply and 70 psig (4.8 BAR) outlet | 40, 60 SCFM | 90, 120, 120 SCFM | 275 SCFM |
| Output Pressure Ranges | 0-10 psig (0-0.69 BAR) | 0-10 psig (0-0.69 BAR) | 0-30 psig (0-2.1 BAR) 0-60 psig (0-4.1 BAR) 0-120 psig (0-8.3 BAR) |
| | 0-30 psig (0-2.1 BAR) | 0-30 psig (0-2.1 BAR) | |
| | 0-60 psig (0-4.1 BAR) | 0-60 psig (0-4.1 BAR) | |
| | 0-120 psig (0-8.3 BAR) | 0-120 psig (0-8.3 BAR) | |
| Total Air Consumption @ Maximum Output | 0.3 SCFH (0.14 LPM) | 0.3 SCFH (0.14 LPM) | 0.5 SCFH (0.11 LPM) |
| Port Size | 1/8", 1/4" NPT | 1/4", 3/8", 1/2" NPT | 3/4", 1" NPT |
| Mounting Options | Pipe, Panel or Bracket | Pipe, Panel or Bracket | Pipe, Panel or Bracket |
| FILTER-REGULATORS | | | |
| Port Size | 1/8", 1/4" NPT | 1/4", 3/8", 1/2" NPT | 3/4", 1" NPT |
| Filtration (micron) | 5μ, 25μ, 50μ | 5μ, 25μ, 50μ | 5μ, 25μ, 50μ |
| Maximum Supply Pressure | 1.0 MPa | 1.0 MPa | 1.0 MPa |
| | 10 BAR | 10 BAR | 10 BAR |
| | 145 psi | 145 psi | 145 psi |
| Temperature Range | 41°-140° F / 5°-60° C | 41°-140° F / 5°-60° C | 41°-140° F / 5°-60° C |
| Drain | Manual / Semi-Auto | Manual / Semi-Auto / Auto | Manual |
| Bowl Capacity | 0.75 inch ³ | 2.75 inch ³ | 6.71 inch ³ |
| Regulator Output Range | 0-10, 0-30, 0-60, 0-120 psi | 0-10, 0-30, 0-60, 0-120 psi | 0-30, 0-60, 0-120 psi |
| Flow (based on 100 psi supply/70 psi out) | 40, 60 SCFM | 90, 120, 120 SCFM | 175 SCFM |
| LUBRICATORS | | | |
| Port Size | 1/8", 1/4" NPT | 1/4", 3/8", 1/2" NPT | 3/4", 1" NPT |
| Lubrication | Mist | Mist | Mist |
| Maximum Supply Pressure | 1.0 MPa | 1.0 MPa | 1.0 MPa |
| | 10 BAR | 10 BAR | 10 BAR |
| | 145 psi | 145 psi | 145 psi |
| Temperature Range | 41°-140° F / 5°-60° C | 41°-140° F / 5°-60° C | 41°-140° F / 5°-60° C |
| Bowl Capacity | 1.22 inch ³ | 5.18 inch ³ | 10.3 inch ³ |
| Flow (based on 100 psi inlet pressure) | 55, 115 SCFM | 125, 125, 125 SCFM | 245 SCFM |





FRL ORDERING INFORMATION

| SIZE | |
|-----------------------------------|-----|
| Miniature Series | M1 |
| Standard Series | M2 |
| High Flow Series | M3 |
| DESCRIPTION | |
| Filter | F |
| Regulator | R |
| Lubricator | L |
| Filter Regulator | FR |
| Filter Regulator PLUS Lubricator | FRP |
| Filter, Regulator, Lubricator | FRL |
| PORT SIZE | |
| 1/8" NPT (M1 only) | 1N |
| 1/4" NPT (M1 or M2) | 2N |
| 3/8" NPT (M2 only) | 3N |
| 1/2" NPT (M2 only) | 4N |
| 3/4" NPT (M3 only) | 6N |
| 1" NPT (M3 only) | 8N |
| PRESSURE RANGES | |
| 0-10 psi, (M1 & M2) | A |
| 0-30 psi, | L |
| 0-60 psi, | M |
| 0-120 psi, Standard | H |
| Omit for Filters & Lubricators | |
| FILTERS | |
| 50 Micron Filter, Standard | C |
| 25 Micron Filter | B |
| 5 Micron Filter | F |
| Omit for Regulators & Lubricators | |
| DRAIN | |
| Manual Drain, Standard | M |
| Semi-Automatic Drain | S |
| Auto Drain (M2 only) | A |
| Omit for Regulators & Lubricators | |

NOTE: Individual regulators, FRs, filters, and lubricators come complete with bracket (except M3).
 FRL assemblies come complete with all bracket/connectors.

FRL FEATURES

Modular design for service & interchangeability

Miniature (M1), Standard (M2) & High Flow (M3)

Small package size and light weight construction

Competitively priced

FILTERS

M1 has polycarbonate bowl, M2 & M3 have polycarbonate bowl with metal guard

STOCK ELEMENTS - 5, 25 or 50 micron

Manual, semi-auto or auto drain available

REGULATORS

Bellofram® Rolling Diaphragm for superior regulator performance

Panel, pipe, or bracket (included) mounting

Metal body, polycarbonate bonnet and knob

Non-rising adjustment knob with push-pull lock ring feature

FILTER REGULATORS

Aluminum and polycarbonate construction

Manual, semi-auto or autodrain available

M1 has polycarbonate bowl; M2 & M3 have polycarbonate bowl with metal guard

Non-rising adjustment knob with push-pull lock ring feature

For panel or bracket mounting

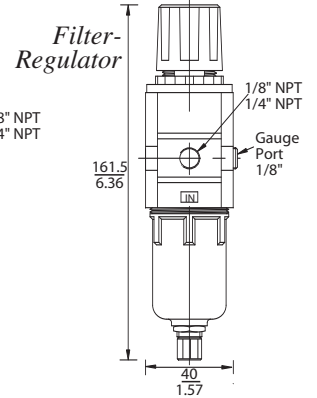
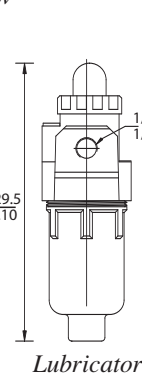
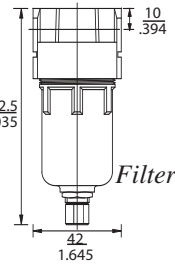
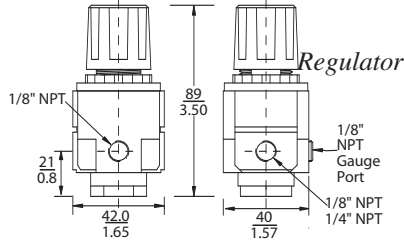
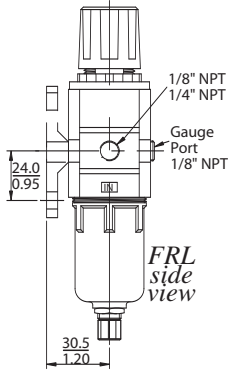
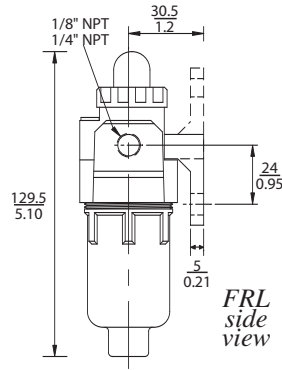
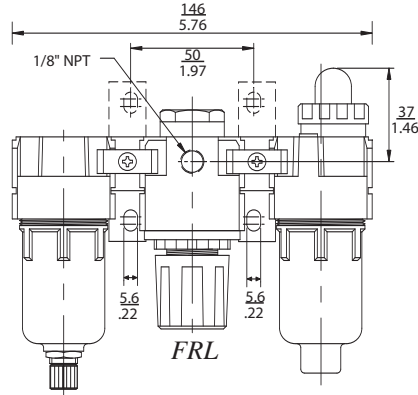
Bellofram® Rolling Diaphragm for superior regulator performance

LUBRICATORS

M1 has polycarbonate bowl; remove bowl for filling.

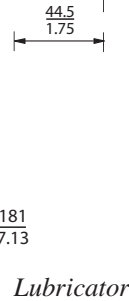
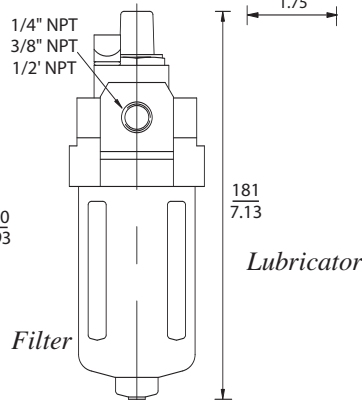
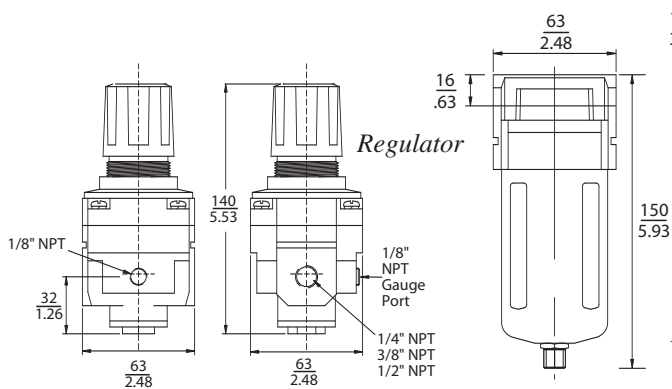
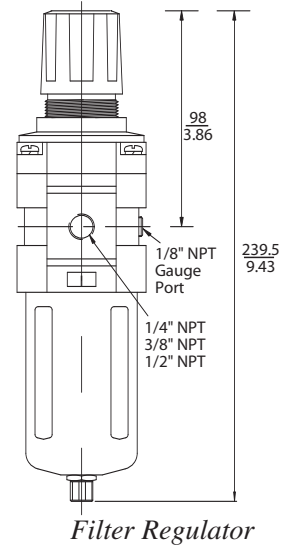
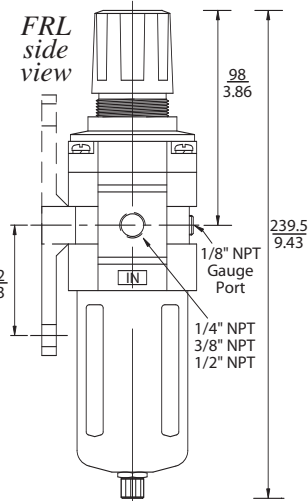
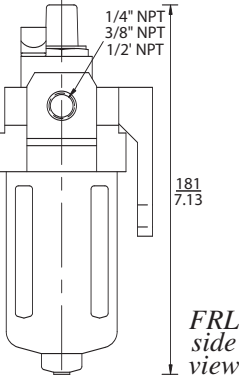
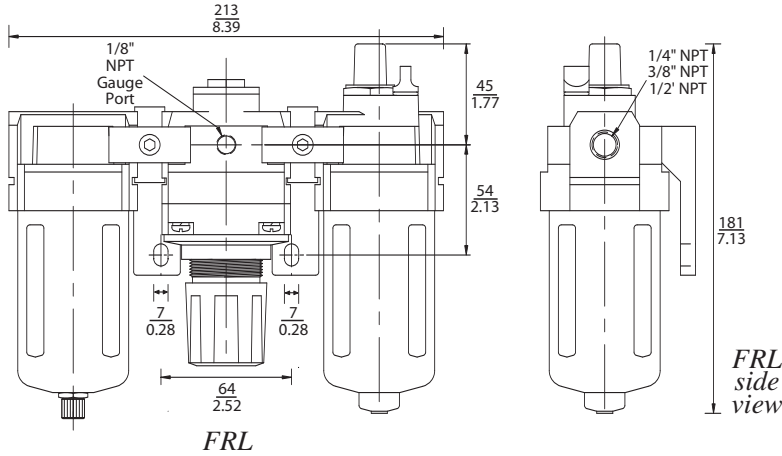
M2 & M3 have polycarbonate bowl with metal guard; top plug permits filling without removing bowl or shutting off air

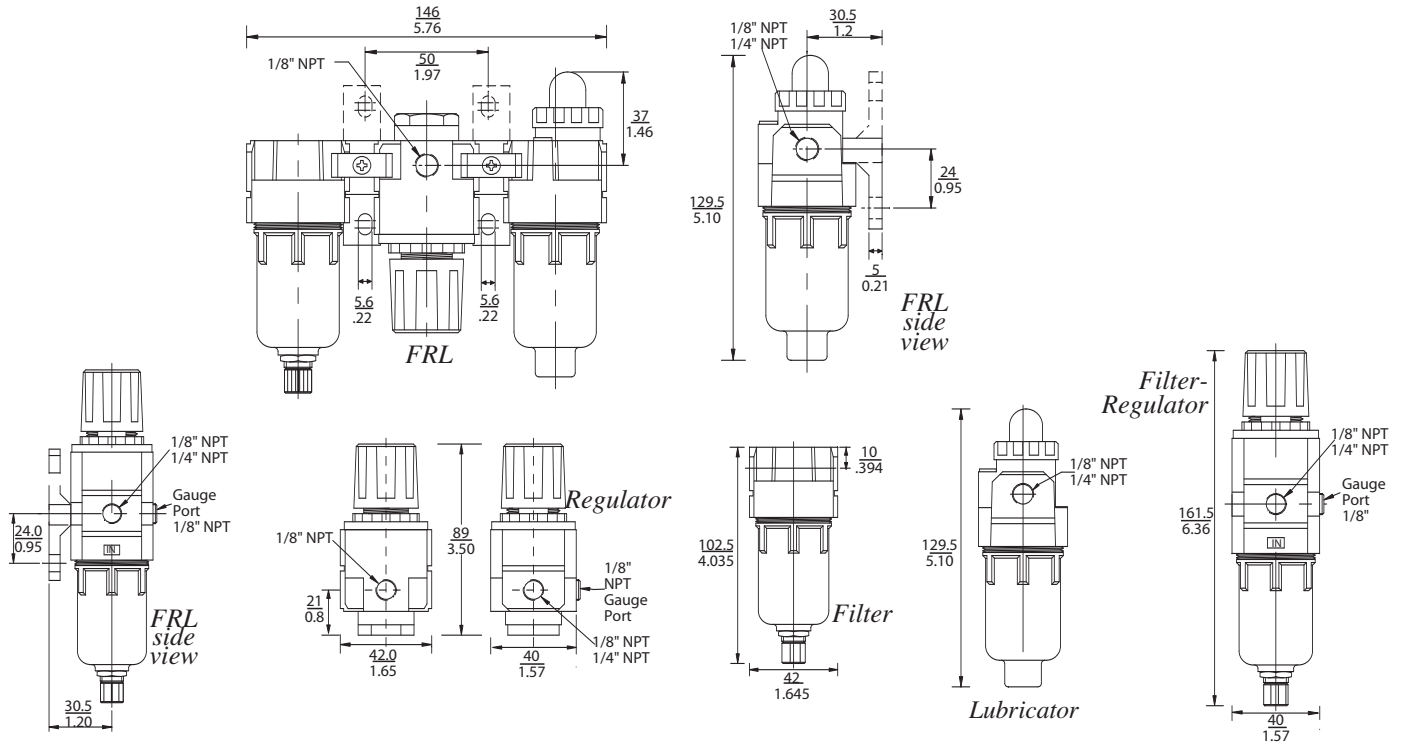
Adjust drip rate by hand, using graduated ring on M1 & M3, with screwdriver on M2



TYPE M1

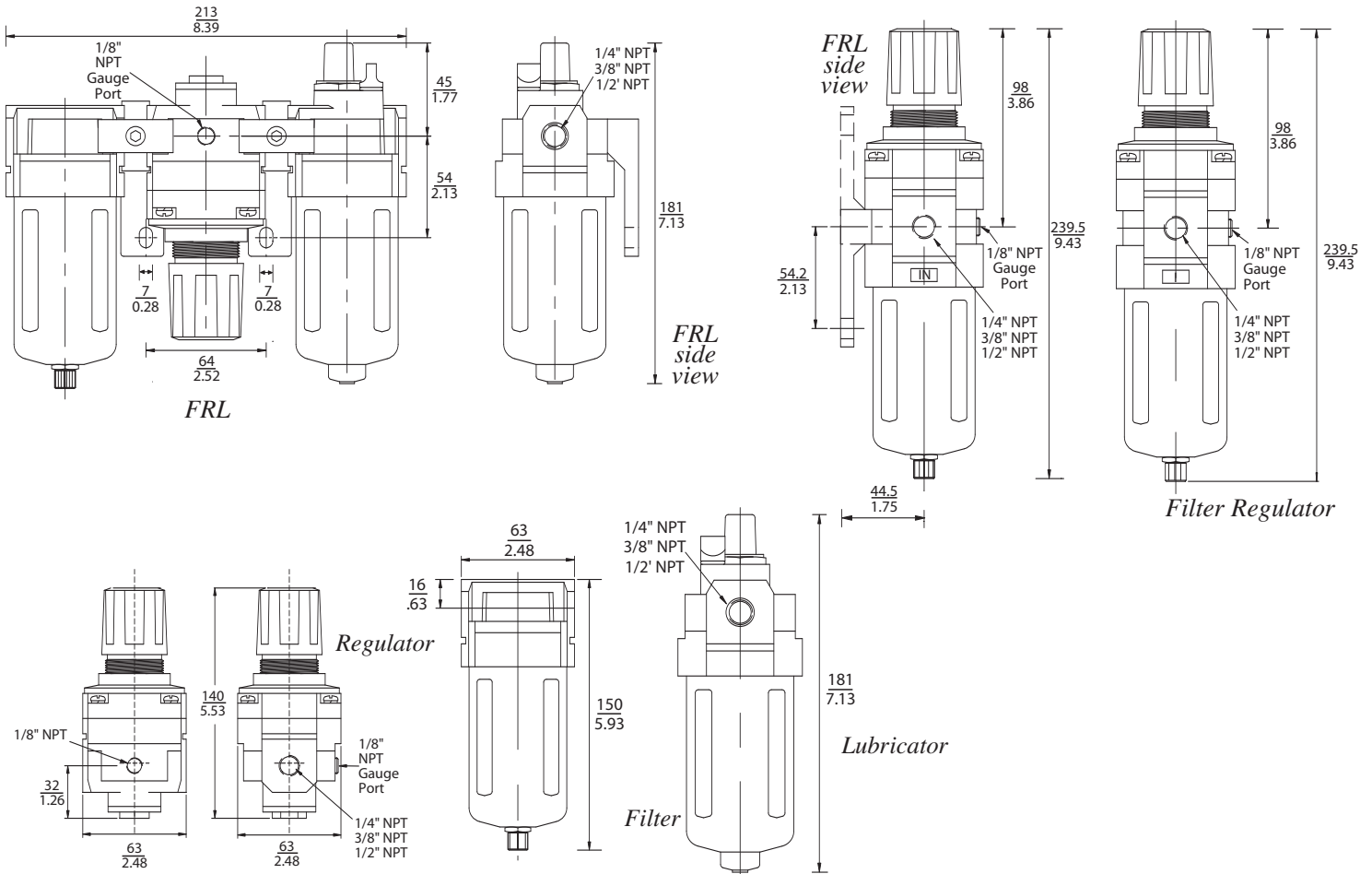
TYPE M2



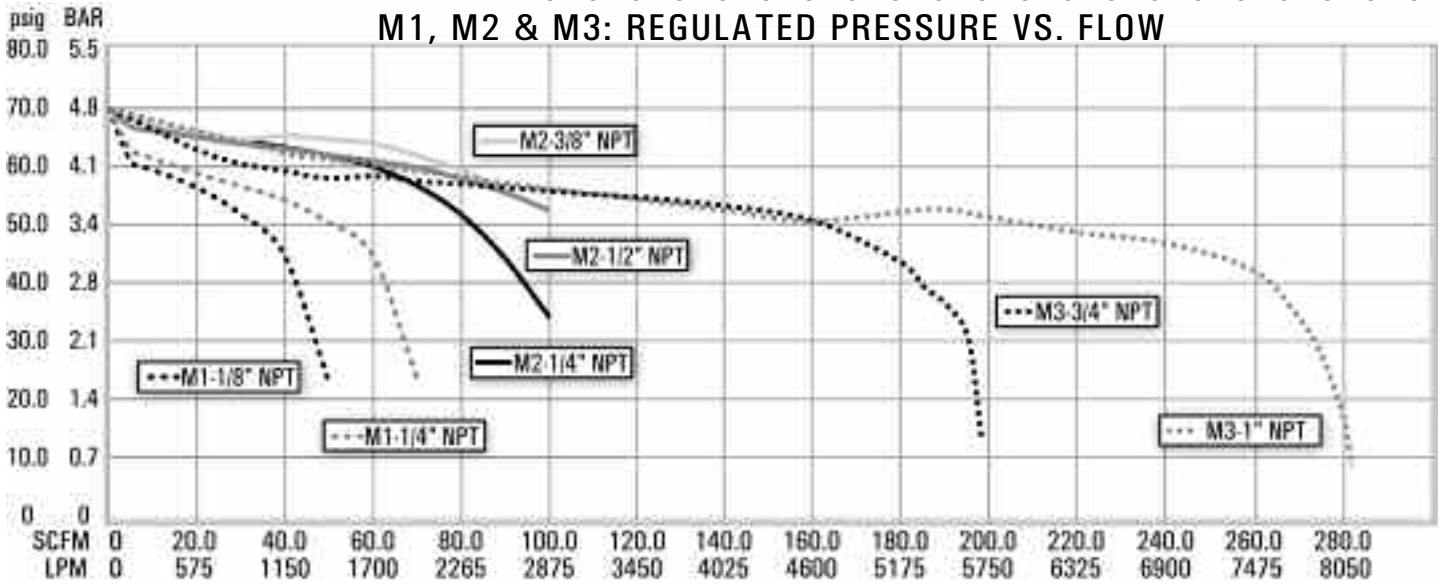


TYPE M1

TYPE M2



M1, M2 & M3: REGULATED PRESSURE VS. FLOW



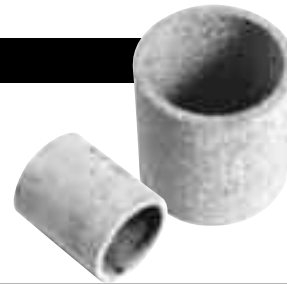
REPLACEMENT PARTS



| Description | Model # |
|--|---------|
| Miniature Size Connector Kit | M1K |
| Miniature Size Connector Kit FR+L | M1K2 |
| Standard Size Connector Kit | M2K |
| Standard Size Connector Kit FR+L | M2K2 |
| High Flow Size Connector Kit 3/4" | M3K |
| High Flow Size Connector Kit 1" | M3K1 |
| High Flow Size Connector Kit 3/4" FR+L | M3K2 |
| High Flow Size Connector Kit 1" FR+L | M3K3 |



| | |
|--|------|
| Miniature Size Filter or Lubricator Bracket | M1FB |
| Standard Size Filter or Lubricator Bracket | M2FB |
| High Flow Size Filter or Lubricator Bracket | M3FB |
| Miniature Size Regulator or Filter Regulator Bracket | M1RB |
| Standard Size Regulator or Filter Regulator Bracket | M2RB |
| High Flow Size Regulator or Filter Regulator Bracket | M3RB |



| Description | Model # |
|------------------------------------|---------|
| Miniature 5 micron Filter Element | M1FK05 |
| Miniature 25 micron Filter Element | M1FK25 |
| Miniature 50 micron Filter Element | M1FK50 |
| Standard 5 micron Filter Element | M2FK05 |
| Standard 25 micron Filter Element | M2FK25 |
| Standard 50 micron Filter Element | M2FK50 |
| High Flow 5 micron Filter Element | M3FK05 |
| High Flow 25 micron Filter Element | M3FK25 |
| High Flow 50 micron Filter Element | M3FK50 |



| | |
|--|-------|
| Miniature Bowl / Manual Drain Assembly | M1DM |
| Miniature Bowl / Semi-Automatic Drain Assembly | M1DSA |
| Standard Bowl / Manual Drain Assembly | M2DM |
| Standard Bowl / Semi-Automatic Drain Assembly | M2DSA |
| Standard Bowl / Automatic Drain Assembly | M2DA |
| High Flow Bowls / Manual Drain Assembly | M3DM |

Pressure Gauges - "GG" Series Gauges pg. 11