

**NVM**  
**STAINLESS STEEL NEEDLE VALVE**



Flow  
Pressure  
Level  
Temperature  
measurement  
monitoring  
control



- **Maximum Pressure 3600 PSIG**
- **Maximum Temperature 400°F**
- **Wetted Parts of 315 Stainless Steel and PTFE**
- **Sizes From 1/8" to 1-1/4"**

**S6**



**USA**

KOBOLD Instruments Inc.  
1801 Parkway View Drive  
USA-Pittsburgh, PA 15205  
◆ +1 412-788-2830  
Fax +1 412-788-4890  
E-mail: info@koboldusa.com



**CANADA**

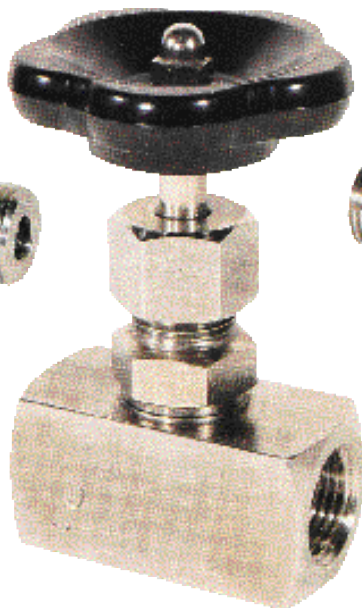
KOBOLD Instruments Canada Inc.  
9A Aviation  
Pointe-Claire, QC H9R 4Z2  
◆ +1 514-428-8090  
Fax +1 514-428-8899  
E-mail: kobold@kobold.ca

Visit KOBOLD Online at  
[www.kobold.com](http://www.kobold.com)

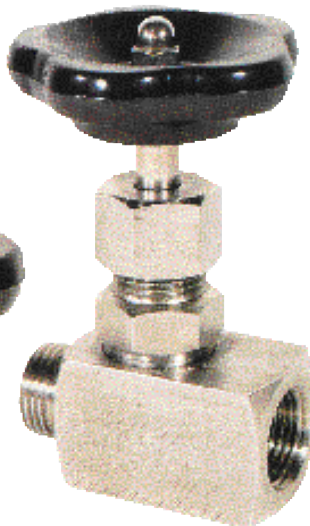
Model:  
**NVM**



NVM 52...



NVM 62...

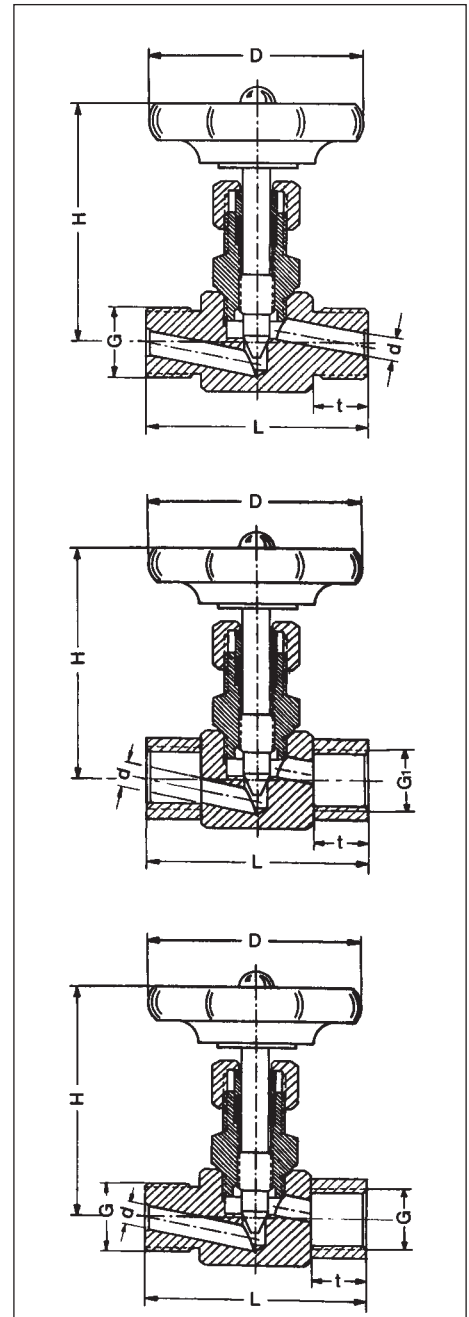


NVM 72...

Kobold offers needle valves made of 316 Ti stainless steel for fine adjustment of flow. They can be mounted in either the product inlet or outlet (as desired) and are supplied with the following connections: external threads on both sides, internal thread on both sides, and internal/external threads. The dimensions are 1/8 to 1-1/4" NPT. .

**Specifications**

**Maximum Pressure:** 3600 PSIG  
**Maximum Temperature:** 400°F (at Atmospheric Pressure)  
**Material:** 316 Ti SS  
**Seal:** PTFE



**Order Numbers for Standard Types**

Stainless steel needle valves								
Stand. NPT.	External Threads Type	Internal Threads Type	Internal/External Type	L	t	H	D	d
1/8"	NVM 5206	NVM 6206	NVM 7206	1.772	0.433	2.756	1.969	0.197
1/4"	NVM 5208	NVM 6208	NVM 7208	1.969	0.512	2.835	1.969	0.236
3/8"	NVM 5210	NVM 6210	NVM 7210	2.165	0.551	2.835	1.969	0.236
1/2"	NVM 5215	NVM 6215	NVM 7215	2.362	0.63	2.835	2.48	0.276
3/4"	NVM 5220	NVM 6220	NVM 7220	2.953	0.709	3.74	2.48	0.315
1"	NVM 5225	NVM 6225	NVM 7225	3.937	0.866	5.118	3.543	0.472
1 1/4"	NVM 5232	NVM 6232	NVM 7232	4.724	0.945	5.709	3.937	0.591