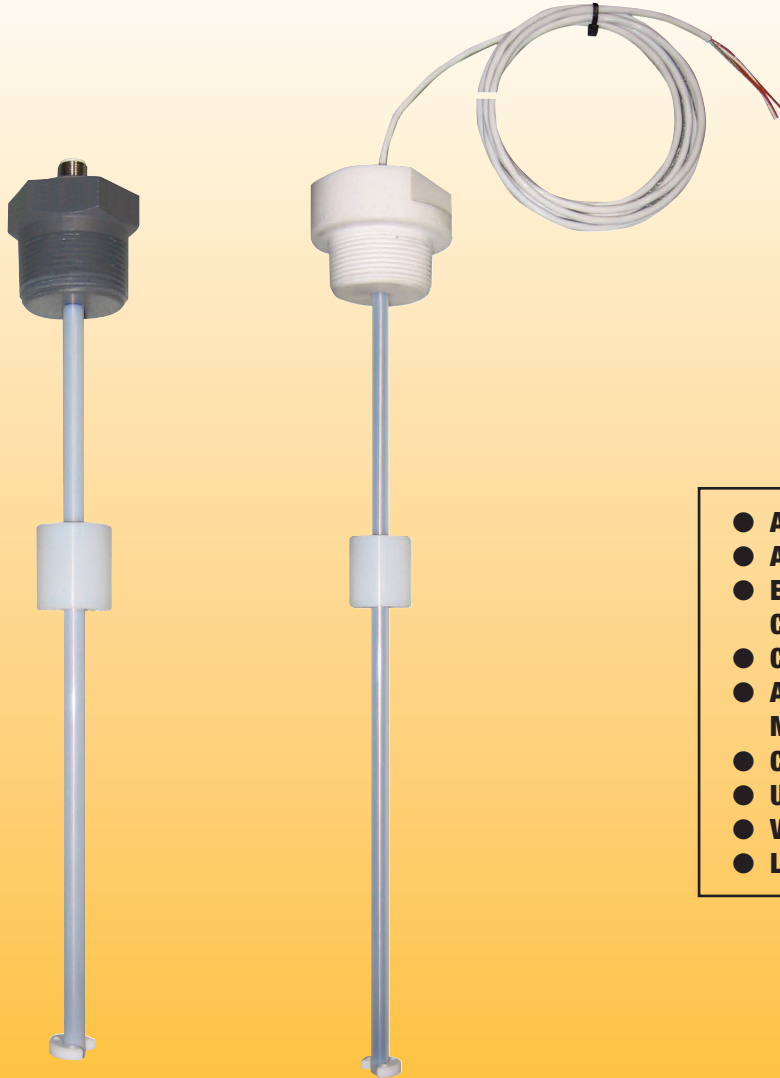


NML-308
LIQUID LEVEL TRANSDUCER



Flow
Pressure
Level
Temperature
measurement
monitoring
control



- All Plastic Wetted Parts
- All Teflon® Wetted Parts Available
- Excellent for use with Aggressive Chemicals
- Continuous Level Measurement
- Analog Output via Remotely Mounted Transmitter
- Compact Design
- Undisturbed by Foaming
- Vapor Insensitive
- Liquid Interface Detection

N2



USA

KOBOLD Instruments Inc.
1801 Parkway View Drive
USA-Pittsburgh, PA 15205
☎ +1 412-788-2830
☎ +1 412-788-4890
E-mail: info@koboldusa.com



CANADA

KOBOLD Instruments Canada Inc.
9A Aviation
Pointe-Claire, QC H9R 4Z2
☎ +1 514-428-8090
☎ +1 514-428-8899
E-mail: kobold@kobold.ca

Visit KOBOLD Online at
www.kobold.com

Model:
NML

Model NML-308: Miniature Synthetic

The NML-308 are miniature synthetic (non-metallic wetted parts) float level transducers suitable for level measurement in vessels of up to 48 inches in height. Floats are made from PTFE (Teflon®). Tubes are 316 stainless steel clad with PFA or PTFE (Teflon®). Fittings are available in Polyethylene (PE), polypropylene (PP), PVC or PTFE (Teflon®). The use of 1-1/4" or 1-1/2" NPT fitting accommodates the diameter of the float and allows the units to be installed from the top of the vessel, or mounting bracket, without removing the float.

Each transducer comes standard with cable or 4-pin Micro-DC plug. Custom cables are available. The transmitted level signal is generated via a DIN rail transmitter mounted remotely.

Specifications

- Minimum Length:** 6 inches
- Maximum Length:** 48 inches
- Resolution:** ± 0.25 inch
- Dead Band:** 1 inch (bottom)
0.62 inch (top)

Wetted Parts

Stem: PFA (std.) or PTFE (Teflon®) clad

Float: PTFE (Teflon®)

Fitting Size: 1-1/4" or 1-1/2" NPT

Fitting Material: PE, PP, PVC or PTFE (Teflon®)

Minimum Liquid: 0.9 Min.

Specific Gravity: recommended

Operating Temperature Range

PVC/PE: - 4 to 140 °F

Polypropylene: - 4 to 190 °F

PTFE (Teflon®): - 4 to 250 °F

Max. Pressure: 25 PSIG @ 70 °F

Electrical Connection:

Micro-DC plug, 4-pin or cable

Protection: NEMA 4X/IP65

DIN Rail Transmitter

Input Voltage: 12-32 VDC max.

Output: 4-20 mA 2-wire

0-5 VDC 3-wire

0-10 VDC 3-wire

Sensing Voltage: 5 VDC max.

Sensing Current: 2.5 mA max.

Adjustments: via potentiometer

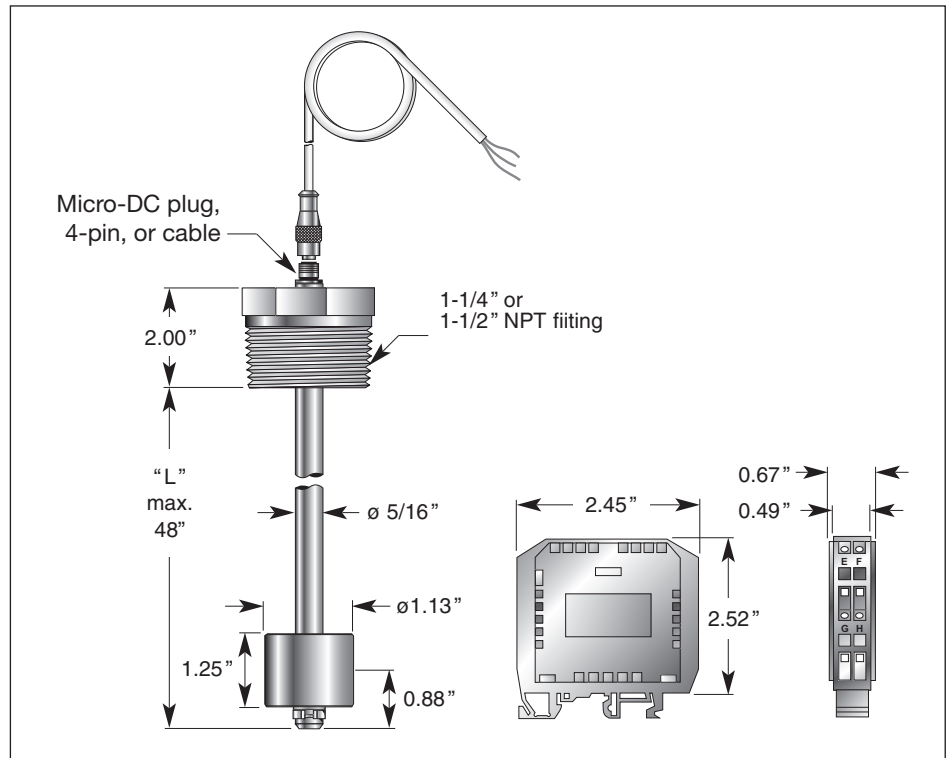
Ambient Temperature Range:

- 4 to 140 °F

Protection: NEMA 1 / IP40

Housing: Polycarbonate

LxWxH: 2.52" x 0.67" x 2.45"



N2

NML-308 Ordering Information

NML-308 = Miniature Float Level Transmitter	
<ul style="list-style-type: none"> -PE = Polyethylene -PP = Polypropylene 	<ul style="list-style-type: none"> -PV = PVC -PF = PTFE (Teflon®)
Fitting Material	
<ul style="list-style-type: none"> -N7 = 1-1/4" NPT fitting, male -N8 = 1-1/2" NPT fitting, male 	Fitting Size
<ul style="list-style-type: none"> -A = 4-20 mA output -B = 0-5 VDC output -C = 0-10 VDC output 	Output Type
<ul style="list-style-type: none"> -1 = PFA (Teflon®) std. -2 = PTFE (Teflon®) 	Stem Cladding
<ul style="list-style-type: none"> -MD = Micro-DC plug, 4-pin -PV = PVC cable, 6 Ft. -SL = Silicone cable, 6 Ft. -TF = Teflon® cable, 6 Ft. -TA = Teflon® SS armored cable, 6 Ft. 	Electrical Connection
<ul style="list-style-type: none"> -EC = Extended cable length, specify length -L = specify probe length 	Options
<p>NML-308 -PE N7 -A -1 -PV L=12" Sample NML-308 Specification</p>	
Accessories	
P/N 807.037 = Mating 4-pin Micro-DC plug with 6 foot cable	