


KOBOLD OEM Level Switches

for any application



Flow
Pressure
Level
Temperature
measuring
controlling
regulating



- **Plastic and Stainless Steel Models**
- **Side or Top Mount Versions**
- **Very Competitive Pricing for Volume Orders**
- **All Switches U.L. Recognized and CE Compliant** 
- **Custom Versions to Suit any Application**
- **Single Point and Multipoint Versions Available**




OEM Level Switches

LIT067



Features

- **Plastic and Stainless Steel Models**
- **Side or Top Mount Versions**
- **Very Competitive Pricing for Volume Orders**
- **All Switches U.L. Recognized and CE Compliant** 
- **Custom Versions to Suit any Application**
- **Single Point and Multipoint Versions Available**

KOBOLD Instruments offers a wide variety of float type level switches to suit high volume OEM applications. Standard designs offered are side mount or top mount switches made of polypropylene, PDVF, Buna-N and stainless steel. Custom designs are available to suit virtually any application. Examples of custom options available include:

- Special materials such as PTFE, nylon, etc.
- Custom lead lengths
- Special fittings
- Extended stem length
- Special electrical connections



Custom Designs for OEM Applications

Feel free to contact us with your requirements and we will gladly select or design a switch to meet your application.

OEM Level Switch Application Guide

Use the following guide to assist in collecting the information required to select the proper level switch for your application.

Anticipated Annual Usage Quantity: _____

Operating Temperature (°F)

°F Normal: _____

°F Maximum: _____

Operating Pressure (PSIG)

Normal: _____

Maximum: _____

Specify Liquid Type: _____

Minimum Liquid Specific Gravity: _____

Mounting: Top of Tank Bottom of Tank Side of Tank

Can inside of tank be accessed for switch installation?

Yes

No

Desired Switch Material:

Polypropylene

PVDF

304 Stainless

Other (specify): _____

Switch Logic Required:

Normally Open Dry

Normally Closed Dry



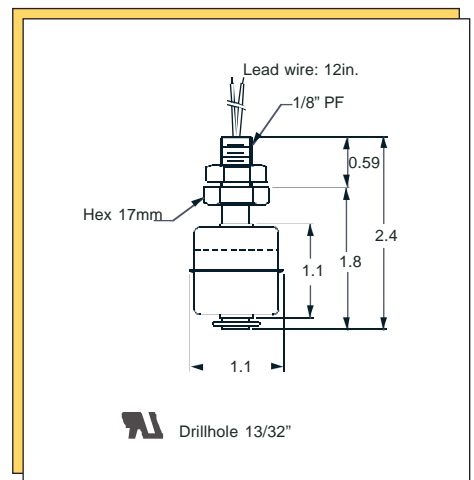
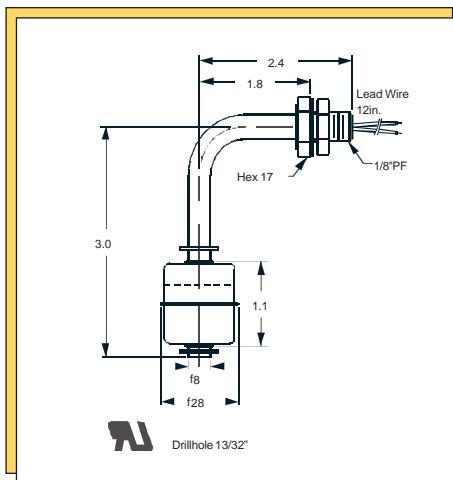
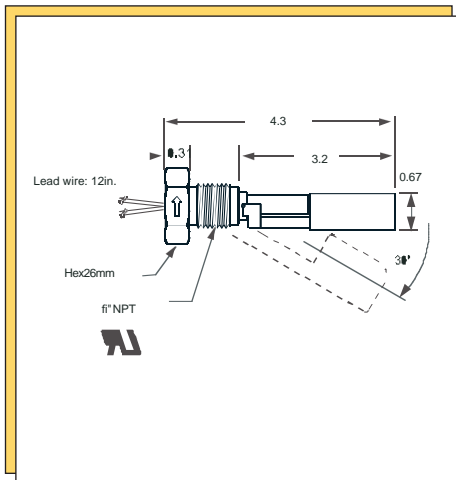
NCS-MH16



NCS-RF3002



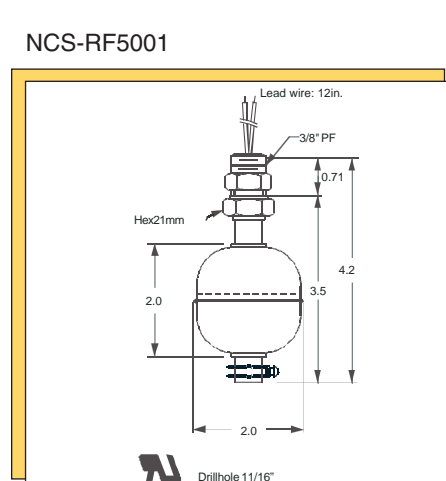
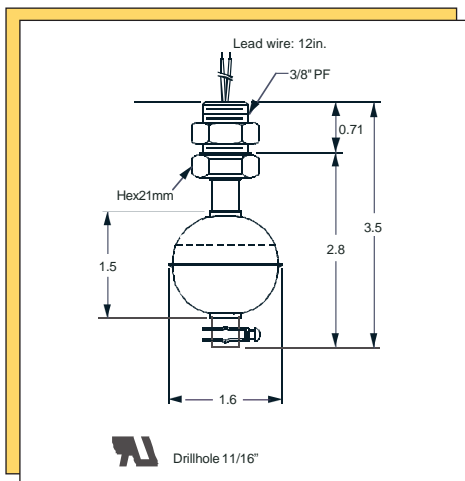
NCS-RF3001

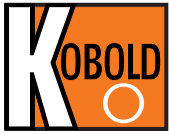


NCS-RF4001



NCS-RF5001





Specifications

Model No.	NCS-MH16	NCS-RF3002	NCS-RF3001	NCS-RF4001	NCS-RF5001
Description	Side mount 1/2" NPT	Side Mount Bulkhead Fitting	Top Mount Bulkhead Fitting	Side Mount Bulkhead Fitting	Top Mount Bulkhead Fitting
Float/Stem Material (Note 2)	304 SS	304 SS	304 SS	304 SS	304 SS
Gasket Materials	N/A	Buna-N	Buna-N	Buna-N	Buna-N
Max. Switch Ratings (Note 1)	Max. 50 watt 240 VAC/200 VDC 0.5 Amp				
Max. Pressure	70 PSIG	140 PSIG	140 PSIG	425 PSIG	425 PSIG
Temp Range	14 TO 250°F				
Min. Float SG	0.8	0.8	0.8	0.7	0.55
Wire	12" XLPE 22 AWG				
Weight	4 oz.	1.5 oz.	1.2 oz.	1.2 oz.	4 oz.
Approvals					

Note 1: SPST normally open dry function is standard. Normally closed dry logic is available on request (option NC).

Note 2: 316 SS available for all stainless steel models.

Fitting Styles

Bulkhead - has a straight thread, gasket and backing nut. No mating fitting is required on the tank but access to the inside of the tank is required to install the switch. Standard bulkhead fitting is the 1/8" PF which requires a 13/32" (10mm) opening in the tank for installation.

NPT - switches such as the NCP-OH41, NCP-OH51 and NCS-MH16 have a male, 1/2" NPT fitting. They are designed to be side mounted from the outside of the tank. Access to the inside of the tank is not required but a mating 1/2" NPT female fitting must be installed on the tank.

Note: The bulkhead mount switches are available as a special with 1/8" NPT thread or an NPT fitting of a sufficient size to allow mounting from the outside of the tank if desired. Contact the factory for details.

Bulkhead Fitting Styles



NPT Fittings

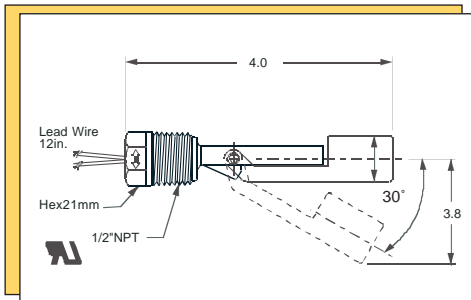


Special NPT Fittings

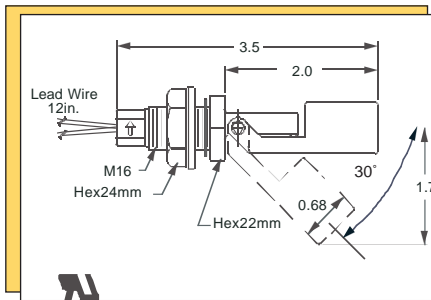




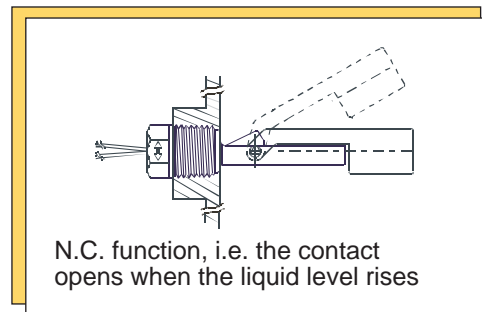
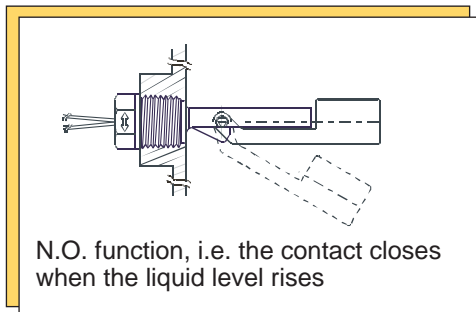
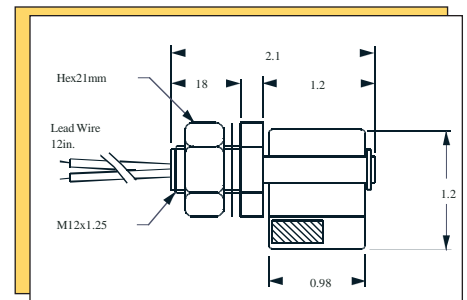
NCP-OH41/NCP-OH51



NCP-OH21/NCP-OH23

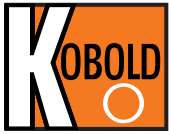


NCP-OH11



Specifications

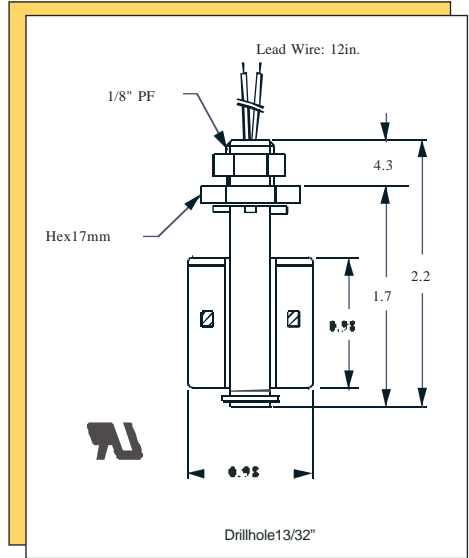
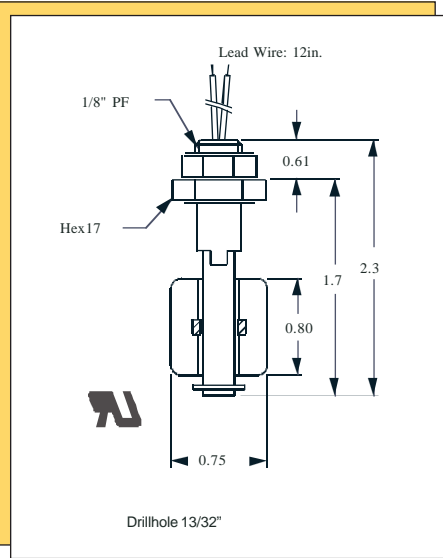
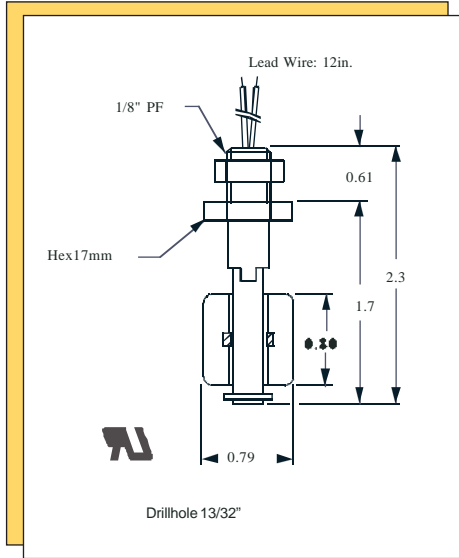
Model No.	NCP-OH41	NCP-OH51	NCP-OH21	NCP-OH23	NCP-OH11
Description	Side mount 1/2" NPT	Side Mount 1/2" NPT w/conduit hub	Side Mount Bulkhead Fitting	Side Mount Bulkhead Fitting	Side Mount Bulkhead Fitting
Float/Stem Material	Polypropylene	Polypropylene	Polypropylene	PVDF	Polypropylene
Gasket Materials	N/A	N/A	Buna-N	Silicone	Polypropylene
Max. Switch Ratings	Max. 50 watt 240 VAC/200 VDC 0.5 Amp				
Max. Pressure	50 PSIG	50 PSIG	50 PSIG	25 PSIG	0 PSIG
Temp Range	-4 to +176°F	-4 to +176°F	-4 to +176°F	-4 to +250°F	-4 to +176°F
Min. Float SG	0.65	0.65	0.75	0.85	0.78
Wire	12" XLPE 22 AWG	12" XLPE 22 AWG	12" XLPE 22 AWG	12" XLPE 22 AWG	12" PVC 22 AWG
Weight	0.7 oz	0.9 oz	0.8 oz	0.9 oz	0.9 oz
Approvals					



NCP-OV11

NCP-OV12

NCP-OV31/NCP-OV33



Specifications

Model No.	NCP-OV11	NCP-OV12	NCP-OV31	NCP-OV33
Description	Top Mount Bulkhead			
Float/Stem Material	Polypropylene	Polypropylene Stem Buna-N Float	Polypropylene	PVDF
Gasket Materials	Buna-N	Buna-N	Viton®	Viton®
Max. Switch Ratings (note 1)	Max. 10 watt 125 VAC 0.5 Amp	Max. 10 watt 125 VAC 0.5 Amp	Max. 10 watt 125 VAC/200 VDC 0.5 Amp	Max. 10 watt 240 VAC/200 VDC 0.5 Amp
Max. Pressure	0 PSIG	25 PSIG	50 PSIG	25 PSIG
Temp Range	-4 to +176°F	-4 to +212°F	-4 to +176°F	-4 to +250°F
Min. Float SG	0.8	0.8	0.7	0.85
Wire	12" PVC 22 AWG	12" XLPE 22 AWG	12" PVC 22 AWG	12" XLPE 22 AWG
Weight	0.5 oz	0.5 oz	0.5 oz	0.5 oz
Approvals				

Note 1: SPST normally open dry function is standard. Normally closed dry logic is available on request (option NC).