

**NEK  
COMPACT CONDUCTIVE LEVEL SWITCH**



Flow  
Pressure  
Level  
Temperature  
measurement  
monitoring  
control

**N1**



- Compact Design
- No Moving Parts
- Excellent for Dirty, Low Viscosity or Aggressive Liquids
- Transistor Switch or Relay Outputs Available
- Ryton or Polypropylene Bodies



**USA**

KOBOLD Instruments Inc.  
1801 Parkway View Drive  
USA - Pittsburgh, PA 15205  
☎ +1 412-788-2830  
Fax +1 412-788-4890  
E-mail: info@koboldusa.com



**CANADA**

KOBOLD Instruments Canada Inc.  
9A Aviation  
Pointe-Claire, QC H9R 4Z2  
☎ +1 514-428-8090  
Fax +1 514-428-8899  
E-mail: kobold@kobold.ca

Visit KOBOLD Online at  
[www.kobold.com](http://www.kobold.com)

Model:  
**NEK**



**Features**

- Compact Design
- No Moving Parts
- Excellent For Dirty, Low Viscosity or Aggressive Liquids
- Transistor Switch or Relay Outputs Available
- Ryton or Polypropylene Bodies

The NEK series compact conductive level switch is an excellent choice for monitoring the level of conductive liquids in tanks. The NEK series conductive level switch senses liquid level by applying a low AC voltage to a set of stainless steel electrodes. When a conductive liquid is present a small current will flow between the electrodes, resulting in switch activation. The NEK compact level switch is available with either a Ryton or polypropylene body with 316-Ti stainless steel electrodes standard. This makes the NEK suitable for many chemicals and aggressive media. The solid state design has no moving parts so the NEK is also a sure bet for dirty liquids as well as those with high solids content.

**Specifications**

**Wetted Materials:**

**Housing:** Ryton or polypropylene  
**Electrodes:** 316-Ti SS

**Maximum Pressure:**

**Ryton:** 290 PSIG  
**Polypropylene:** 85 PSIG

**Temperature Range:**

**Ryton:** -10 to 176°F  
**Polypropylene:** -10 to 140°F

**Minimum Liquid Conductivity:**

32 μS/cm

**Switching Delay:**

0.5 sec

**Power Requirements:**

24 VDC +/- 20%

**Switch Characteristics**

**Open Collector:** Normally open (dry), PNP or NPN depending on model number, 30 VDC, 100 mA, short circuit protected

**SPDT Relay:** 1 Amp max. @ 30 VDC max.

**Electrical Protection:**

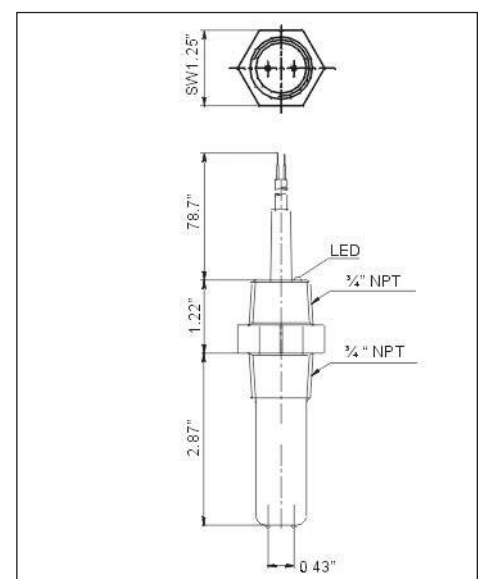
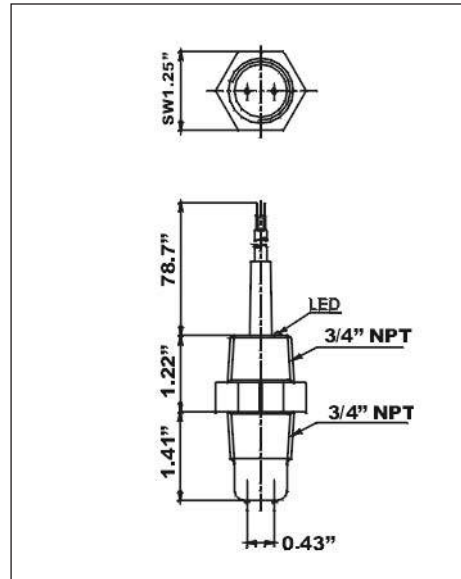
NEMA 6/IP67



**NEK Series Compact Conductive Level Switch**

1-1/2" Immersion Length

3" Immersion Length



**Ordering Information**

Immersion Length	Switch Type	Body Material		Fitting	Electrical Connection
		Ryton	Polypropylene		
1-1/2"	NPN open collector	NEK-1136	NEK-1236	N20=3/4"NPT	C = 6 ft. PVC Cable
	PNP open collector	NEK-2136	NEK-2236		
	SPDT Relay	NEK-3136	NEK-3236		
3"	NPN open collector	NEK-1173	NEK-1273		
	PNP open collector	NEK-2173	NEK-2273		
	SPDT Relay	NEK-3173	NEK-3273		

Subject to change without prior notice.