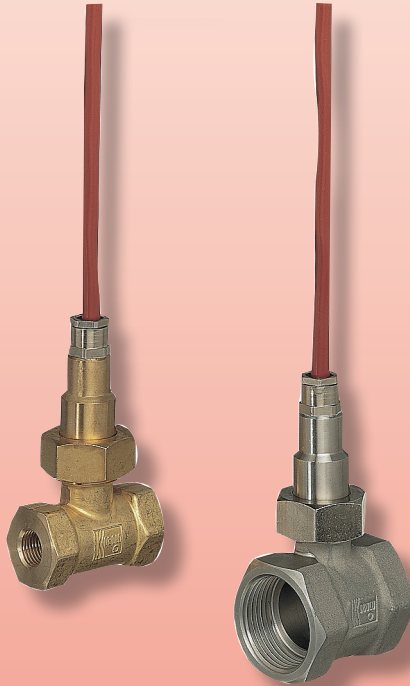


Thermal Reed Temperature Switch



measuring
•
monitoring
•
analyzing

TRS



- Switchpoints from 50...248 °F
- Process Connections: 1/4" ...1"
- Brass/SS or All SS Wetted Parts
- Simple Inline Installation
- Highly Repeatable Setpoint



KOBOLD companies worldwide:

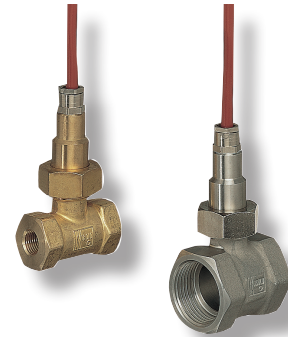
ARGENTINA, AUSTRIA, BELGIUM, BULGARIA, CANADA, CHILE, CHINA, COLOMBIA, CZECH REPUBLIC, EGYPT, FRANCE, GERMANY, GREAT BRITAIN, HUNGARY, INDIA, INDONESIA, ITALY, MALAYSIA, MEXICO, NETHERLANDS, PERU, POLAND, ROMANIA, SINGAPORE, SOUTH KOREA, SPAIN, SWITZERLAND, TAIWAN, THAILAND, TUNISIA, TURKEY, USA, VIETNAM

KOBOLD Instruments, Inc.
1801 Parkway View Drive
Pittsburgh, PA 15205
☎ Main Office:
1.800.998.1020
1.412.788.4890
✉ info@koboldusa.com
www.koboldusa.com



Description

The KOBOLD TRS thermal reed switches are widely used for temperature monitoring and control. The rugged, straightforward design is noted for having both long life and reliability. Thermal reed switches have high repeatability as they are insensitive to the operating environment and are not affected by load current. Constructed with a rugged brass or stainless steel housing and 1/4" to 1" internal threads on both sides for inline installation, they are supplied with a 5' silicone jacketed cable for convenience. The temperature contacts have a fixed, factory-set switchpoint in intervals of 9 °F over the ranges of 50 °F to 122 °F and in intervals of 18 °F over the ranges of 140 °F to 248 °F.



Specifications

Wetted Materials

Brass Housing: Brass, 304 SS, FKM

SS Housing: 304 SS, FKM

Cable: 5 ft. (1.5m) Silicone Jacketed

Process Temperature: -40...248 °F

Maximum Pressure

Brass: 230 PSIG

Stainless Steel: 360 PSIG

Setpoint Accuracy: ±9 °F

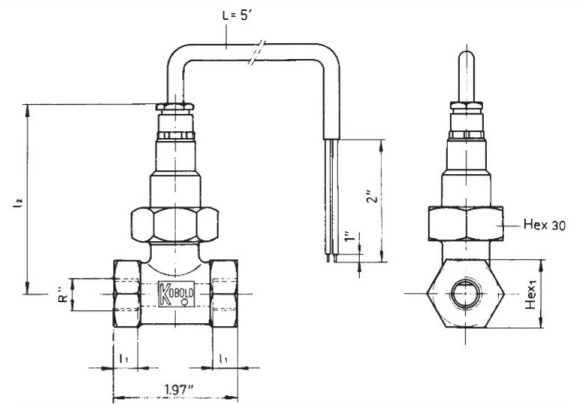
Setpoint Hysteresis: ≤18 °F

Contact: N/C (Opens on Rising Temperature)

Contact Rating: 10 W, 12 VA
Max. 120 VAC/100 VDC/1.0 A

Electrical Protection: NEMA 4X / IP65

Dimensions



Connection (Internal Thread)	Hex ₁	l ₁	l ₂
1/4"	1.06"	0.39"	3.03"
3/8"	1.06"	0.39"	3.03"
1/2"	1.06"	0.39"	3.03"
3/4"	1.18"	0.59"	3.07"
1"	1.46"	0.59"	3.15"

Order Details (Ex: TRS-11N25010)

Housing Material	Fitting Type		Switchpoint	
TRS-11.. = Brass	..N08.. = 1/4" NPT	..R08.. = G 1/4	..010 = 50 °F (10 °C)	..060 = 140 °F (60 °C)
	..N10.. = 3/8" NPT	..R10.. = G 3/8	..015 = 59 °F (15 °C)	..070 = 158 °F (70 °C)
	..N15.. = 1/2" NPT	..R15.. = G 1/2	..020 = 68 °F (20 °C)	..080 = 176 °F (80 °C)
TRS-12.. = Stainless Steel	..N20.. = 3/4" NPT	..R20.. = G 3/4	..025 = 77 °F (25 °C)	..090 = 194 °F (90 °C)
	..N25.. = 1" NPT	..R25.. = G 1	..030 = 86 °F (30 °C)	..100 = 212 °F (100 °C)
			..040 = 104 °F (40 °C)	..110 = 230 °F (110 °C)
			..045 = 113 °F (45 °C)	..120 = 248 °F (120 °C)
		..050 = 122 °F (50 °C)		