

Unique Polymer Bracket for NAMUR Actuators

A unique ABS polymer resin bracket kit has been developed to mount Moniteur VPTs to actuators with the NAMUR standard accessory mounting configuration. The kit offers many advantages over conventional plated steel bracket kits:

- ▶ Corrosion resistance
- ▶ Faster mounting
- ▶ Dual O-rings seal the actuator shaft / VPT shaft area from the outside environment
- ▶ Standard stainless steel mounting hardware

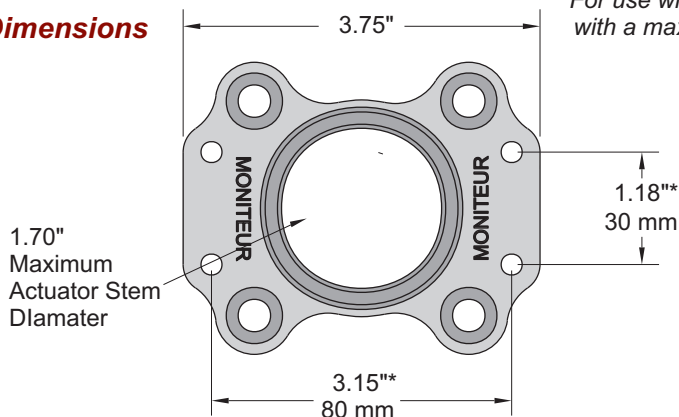
The bracket is designed to fit Moniteur's **Watchman**, **Survivor**, **Survivor II** and **Indicateur** product series when fitted with the NAMUR direct interface shaft (code 5). (eg. RMYS-5220). Sentinel must use a metal bracket.



Partial Listing of Compatible NAMUR Standard Actuators

Airtorque	Automax	Compact 4 II	Flotite	K-Tork	Sharpe	Unitorq		
PT 050 / 051	SNA 050	C20	DA/SR 050	K-1	SPN 050	M20		
PT 100 / 101	SNA 063	C25	DA/SR 063	K-2	SPN 063	M30		
PT 200 / 201	SNA 085	C30	DA/SR 075	QTRCO Q, XB, X, P & R	SPN 075	M52		
PT 250 / 251	SNA 100	C35	DA/SR 085		SPN 085	M73		
PT 300 / 301			DA/SR 100		SPN 100	M103		
	Bettis	Durair II		04, 05	Sure Torque	M148		
ABZ	CBA Series	AP 050	Hytork	07, 10		ST 20	Worcester	
40	G Series	AP 063	XL-45	Radius		ST 30		1039N
80	D025	AP 075	XL-70		AD/S 005	ST 52		1539N
130	D040	AP 085	XL-130		AD/S 008	ST 73	2039N	
200	D 0100	AP 100	XL-185	AD/S 012	ST 103			
	D 0200			AD/S 020	ST 148			
Amri	Bray Series 92	Elomatic	Jamesbury	AD/S 030	Triac	XOMOX		
3	63	E25	VP-VL 051	Remote Control			TR 20	XRP 006
6	83	E40	VP-VL 100				RC210 / 410	2R 40
12	92	E 100	VP-VL 200		RC220 / 420	2R 80	XRP 025	
25	118	E 200	VP-VL 250	RC230 / 430	2R 130	XRP 050		
50			VP-VL 300	RC240 / 440	2R 200			
100								
200								

Dimensions



* For use with the NAMUR 80 x 30 x 20 mm (L x W x H) mounting pattern with a maximum actuator stem diameter of 1.70 inches [43mm]

