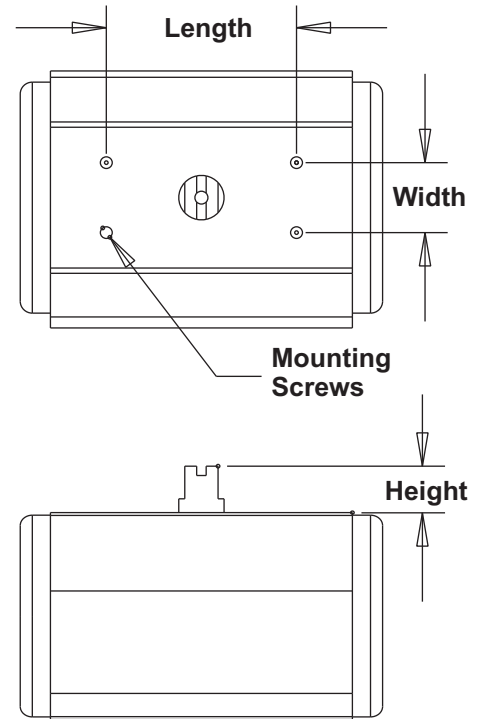
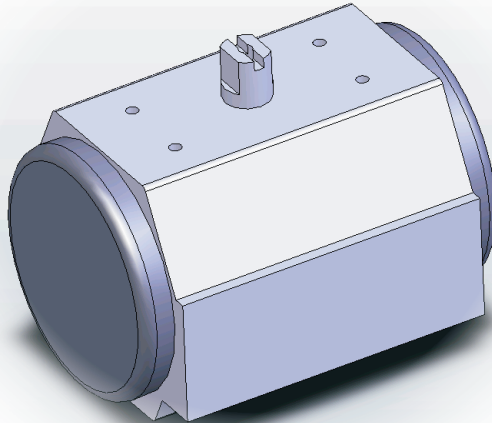


NAMUR Bracket Kits



Moniteur offers a comprehensive selection of bracket kits for every actuator that has NAMUR accessory mounting dimensions. Brackets are available for both Moniteur low-profile and standard NAMUR shaft styles. Plated and Stainless Steel brackets for both types are kept in stock.

| Low Profile NAMUR | Standard (Long) NAMUR | Dimensions [mm] | | | Mounting Screws in Kit |
|----------------------|--------------------------|-----------------|-------|--------|---------------------------|
| | | Length | Width | Height | |
| BKT-NP120 | BKT-EP120 | 80 | 30 | 20 | M5 and 10-24 |
| BKT-NP120A | BKT-EP120A | 80 | 30 | 20 | 10-32 |
| BKT-NP130 | BKT-EP130 | 130 | 30 | 30 | M5 and 10-24 |
| BKT-NP151 | BKT-EP151 | 80 | 30 | 30 | M5 and 10-24 |
| BKT-NP151A | BKT-EP151A | 80 | 30 | 30 | 10-32 |
| BKT-NP153 | BKT-EP153 | 80 | 30 | 14 | M5 and 10-24 |
| BKT-NP153A | BKT-EP153A | 80 | 30 | 14 | 10-32 |
| BKT-NP154 | BKT-EP154 | 130 | 30 | 33 | M5 and 10-24 |
| BKT-NP156 | BKT-EP156 | 50 | 25 | 20 | M5 and 10-24 |
| BKT-NP161 | BKT-EP161 | 130 | 30 | 50 | M5 and 10-24 |
| BKT-NP166 | BKT-EP166 | 130 | 30 | 20 | M5 and 10-24 |

For Stainless Steel Bracket Kit Part Numbers replace the "P" in the part number with an "S".

Example: BKT-NP120 becomes BKT-NS120.

Moniteur's Engineered Resin Bracket Kit

- ▶ Designed for the 80 x 30 x 20 pattern
 - ▶ Kit contains dual O-rings and all-stainless hardware
- Survivor/Survivor II BKT-XP20S - For Watchman BKT-XP20W
 Note: Sentinel units shall use a metal bracket



Standard Shaft Bracket Kits & Kits for Manual Valves

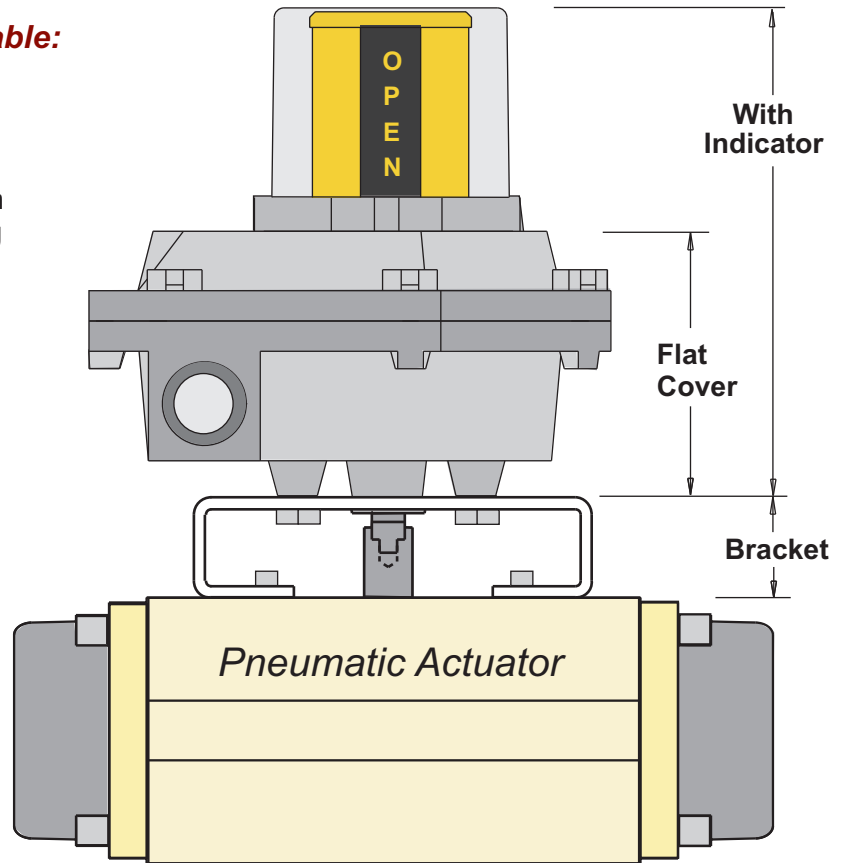
Bracket kits with precision-machined couplers are available to adapt your NAMUR style actuator to a Valve Position Transmitter with a standard shaft (1/4" flats). These brackets are available in both plated and stainless steel. A crossover list with part numbers for your actuator can be found on our website at <http://www.moniteurdevices.com>. *Example:* BKT-RP002. Bracket Kits for Manual Valves, Gear Operators or Linear Valves are also available - Contact Moniteur With Your Application

Two NAMUR Mounting Types Available: Standard and Low-Profile

Moniteur Devices offers two types of NAMUR shafts designed to directly interface (without a transition coupler) with the NAMUR standard accessory mounting pattern found on most of today's actuators. The two are:

- ▶ Moniteur's low profile version has the ordering codes of "5" for the 303 SS version and "7" for the 316 SS version.
- ▶ The standard NAMUR shaft length is also available for compatibility with other manufacturers. The ordering code for this shaft is "E" for the 303 SS version and "G" for the 316 SS version.

The mounting height dimensions for both versions are shown in the table below.



Bracket Height

| Mounting Size | Low Profile NAMUR (Shaft Type "5" or "7") | Standard NAMUR (Shaft Type "E" or "G") |
|------------------|--|---|
| 80 x 30 x 20 mm | BKT-NP120 1.14" | BKT-EP120 1.79" |
| 80 x 30 x 30 mm | BKT-NP151 1.53" | BKT-EP151 2.19" |
| 130 x 30 x 30 mm | BKT-NP130 1.53" | BKT-EP130 2.19" |
| 130 x 30 x 50 mm | BKT-NP161 2.32" | BKT-EP161 2.97" |

Limit Switch Height

| Product Type | Flat Cover | With Indicator |
|------------------------|------------|----------------|
| Sentinel | 3.32" | 7.30" |
| Sentinel-II | 4.00" | 6.88" |
| Survivor / Survivor-II | 2.92" | 6.90" |
| Watchman | 2.81" | 6.79" |