

The Moniteur Sentinel VPT is available with pneumatic switches for applications requiring pneumatic signaling. Features and benefits of the unit:

- ▶ The pneumatic switches withstand air and inert gases and can handle pressures up to 120 psi.
- ▶ Compact switch design (using the V3 pattern) allows easy cam setting.
- ▶ Full range of Moniteur visual indicators is available.
- ▶ Flat cover with no external plastics available.

***for hazardous areas***

### ***Principle of Operation***

- ▶ Three ports are provided on the back of the switch housing, labeled SW1, SW2, and Supply. The pneumatic pressure input is connected to the "Supply" port. Inside the housing, the supply pressure is connected to both of the switches (SW1 and SW2). When either of the switches are tripped, the pneumatic path is opened and the switch provides output to either the SW1 or SW2 port, depending on the switch tripped.
- ▶ To set the switches, simply adjust the touch-set cam in the same fashion as standard Moniteur units.
- ▶ Note: Output air is for signal pressure only.

### ***Specifications - Pneumatic Switches***

Orifice Diameter	5/64" (2 mm)
Operating Pressure	30 - 120 psi (2 - 8 bar)
Flow at 60 psi	4.5 cfm (4.5 NI/min)
Activation Force (@90 psi)	< 1.7 oz (< 50 g)
Permissible Fluid	Air or Inert Gases
Fluid Temperature Range	20 - 120 F (-10 to 50 C)
Operating Temp. Range	20 - 140 F (-10 to 60 C)
Mechanical Life	10 Million Cycles
Response Time	15 ms

### ***Specifications - Enclosure***

Nema Rating	4, 4x
Housing / Cover	Aluminum
Bearing	Bronze
Indicator Cover	Ektar
Seals	BUNA-N
Fasteners	Stainless Steel
Weight	4.25 lbs.
Ports (3)	1/8 NPT Female

### Intelligent Part Number System

<b>A</b>	<b>M</b>	<b>Y</b>	<b>B</b>	<b>-</b>	<b>5</b>	<b>P</b>	<b>2</b>	<b>P</b>
<i>Series</i>	<i>Cover</i>	<i>Moniteur</i>	<i>Bearing</i>		<i>Shaft</i>	<i>Switch</i>	<i>Quantity</i>	<i>Conduit</i>

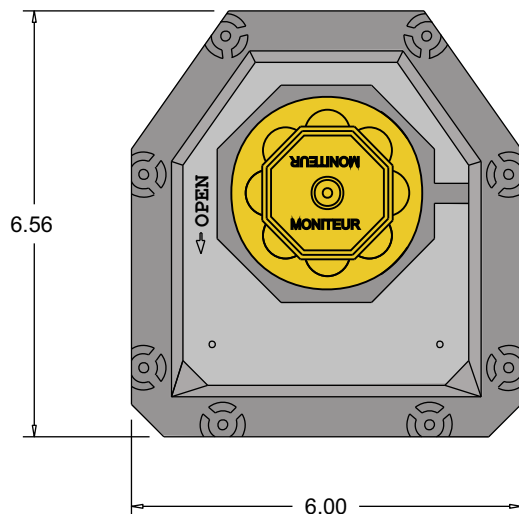
**Base unit includes:** Black / Yellow indicator  
 Aluminum Enclosure  
 Namur Shaft

2 Pneumatic switches  
 Bronze bearings  
 (1) 3/4" NPT conduit + (1) Sintered Filter

<u>Description</u>	<u>Code</u>	<u>Description</u>	<u>Code</u>
<b>Series: Sentinel</b>	A	<b>Bearing</b>	
<b>Cover</b>		Bronze	B
With Moniteur	M	303 SS	S
Flat Cover	F	<b>Shaft</b>	
<b>Moniteur</b>		Standard 303 SS	1
No Indicator	N	Standard 316 SS	3
Black / Yellow	Y	NAMUR 303 SS	5
3-Way Path O,T, F	O,T, F	Long NAMUR 303 SS	E
4-Way Path	S	<b>Switch Type</b> (2 switches)	
180 degree T port	1	Pneumatic	P
120 degree	3	<b>Switch Quantity</b>	2
Green / White	G	<b>Conduit</b>	
Red / White	R	(1) 3/4" F NPT + (1) Sintered Filter	P
Blue / White	B		
Green / Red	A		
Red / Green	C		

### Dimensions

### Top View



### Side View

