

NEW !



ASAHI/AMERICA

Specifications

Sizes: 1/2" , 3/4" , and 1"

Body: Halar (E-CTFE)

Seals: Litharge Fluorine Compound

FEATURES

Halar Ball Valve

- Pressure Rated for 150 psi at 68° F
- Double O-ring seals on stem for added protection
- Full bore, sizes 1/2"-1"
- Two way blocking with 100% shutoff
- Integrally molded tabs for mounting
- HALAR E-CTFE material for all wetted parts
- PTFE seats with elastomeric backing cushions ensure a bubble tight shut-off and a low fixed torque, while also compensating for wear
- Litharge Compound O-rings for aggressive chemical handling
- True Union design for easier installation or repairs without expanding the system
- Elongated Spigot ends for butt fusion welding (IR or contact)

OPTIONS

-Vented Ball- ball can be factory drilled and deburred for chemical applications, i.e. Sodium Hypochlorite or Hydrogen Peroxide, when trapped media can off gas causing pressurization inside the closed ball cavity

SAMPLE SPECIFICATIONS

All Halar E-CTFE Spigot Ball Valves, sizes 1/2"-1", shall be of true union design, butt fusion ends with two-way blocking capability. All wetted parts shall be of Halar material with Teflon seats. All O-rings shall be Litharge compound. Teflon seats shall have an elastomeric backing cushion of the same material as the valve seals. Stem shall have double O-rings and be of blowout-proof design.

TECHNICAL SPECIFICATIONS

Max Operating Temp	75°C @ 3 bar, 165°F @ 43.5psi
Maximum Pressure	10 bar @ 20°C, 150 psi @ 68°F
Available Actuation	Pneumatic, Air to Air/Air to Spring

MATERIAL SPECIFICATIONS

Halar Ball Valve: 1/2" through 1"

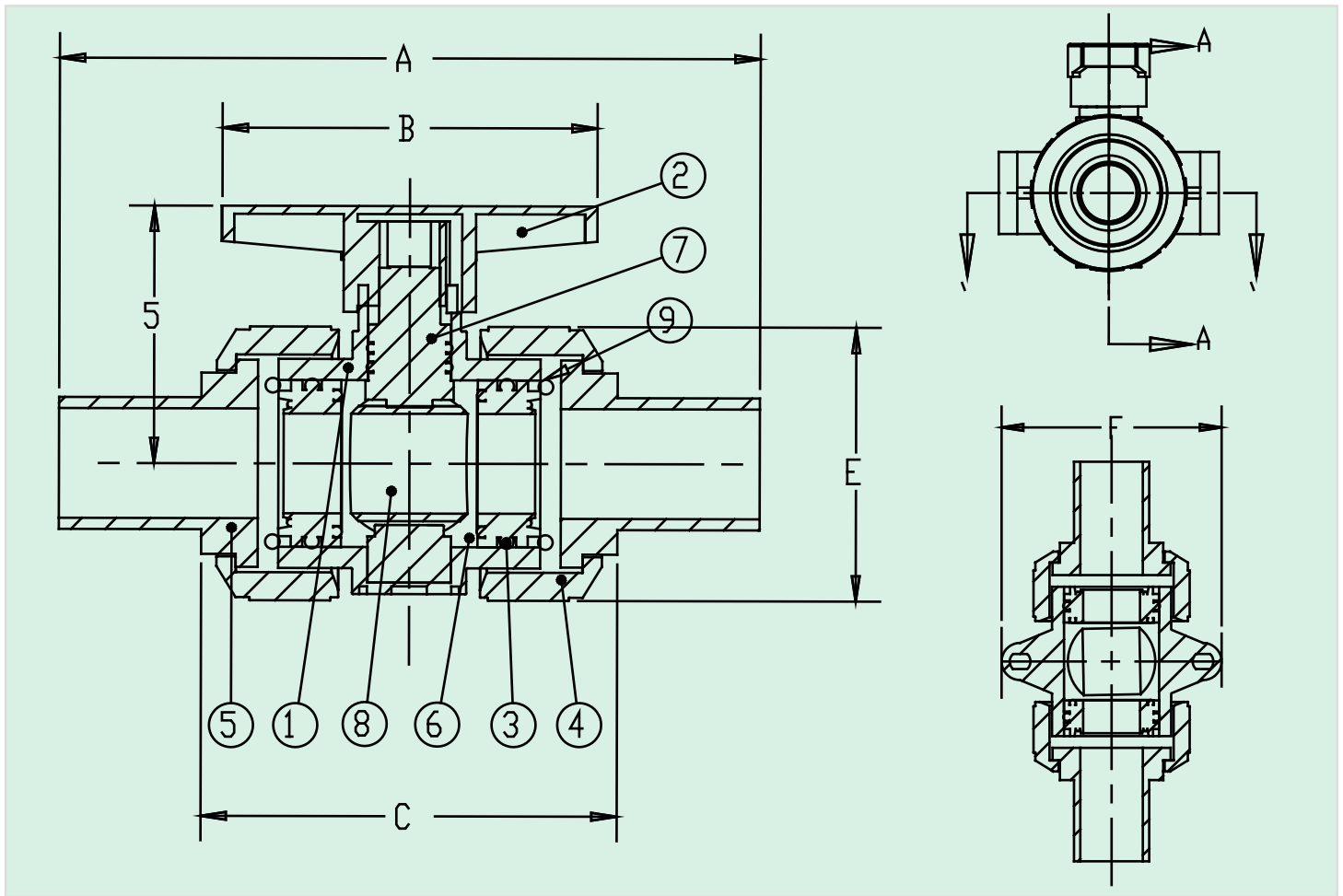
Halar (E-CTFE) is a durable copolymer of ethylene and chlorotrifluoroethylene. It is resistant to a wide variety of corrosive chemicals and organic solvents including strong acids, chlorine, and aqueous caustics. Halar has excellent abrasion resistance and electrical properties, extremely low permeability, and handles temperatures from cryogenic to 171° C (340° F), with continuous service to 149°C (300° F). Its brittleness temperature is -105° F. Severe stress tests have demonstrated that Halar is not subject to chemically induced stress cracking from strong acids, bases, or solvents. Only hot amines and molten alkali metals affect Halar. There is no known solvent for Halar below 250° F. Additionally, Halar is most likely the best known material for handling high concentrations of sodium hypochlorite. Asahi/America Halar systems are manufactured from unpigmented fluoropolymer E-CTFE resin. Their chemical structure, a one-to-one alternating copolymer of ethylene and chlorotrifluoroethylene, provides a unique combination of properties. In addition to superior chemical resistance and unmatched mechanical properties, Halar maintains its usefulness during exposure to cobalt 60 radiation at dosages of 200 megarads, and meets the fire requirements of UL-94 V-0 vertical flame tests.

For these reasons, Halar is considered one of the most durable and versatile thermoplastics used in valves and piping systems. Applications ranging from the harshest of chemicals to the purest of hot DI water are ideal. No other known thermoplastic offers as much versatility in chemical resistance and strong mechanical properties as Halar.



Halox Ball Valve (1/2" - 1")

ASAHI/AMERICA



DIMENSIONS

PIPE SIZE	A	B	C	D	E	F
1"	6.75	3.74	3.87	2.75	2.80	2.76
3/4"	6.4	3.73	3.54	2.5	2.40	2.76
1/2"	5.74	2.11	2.83	1.85	1.97	2.28

PARTS

ITEM NO.	DESCRIPTION	MATERIAL	QTY.
1	BODY	HALAR	1
2	HANDLE	PP	1
3	CARRIER	HALAR	2
4	UNION NUT	HALAR	2
5	SPIGOT END	HALAR	2
6	SEAT	TEFLON	2
7	SHAFT	HALAR	1
8	BALL	HALAR	1
9	O-RING	LITHARGE/FLOURINE	4

