

Series 50M76

2-Piece Ball Valve



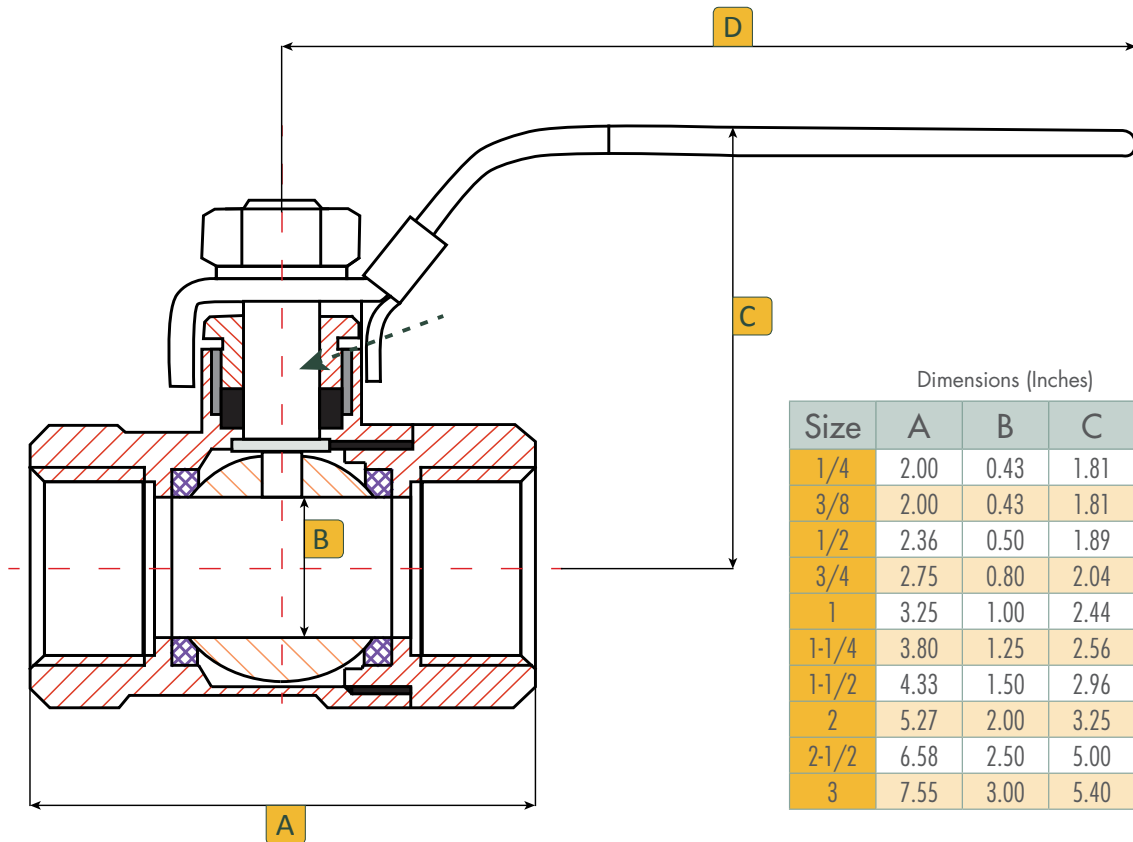
Valves, Automation & Controls

Features

- Full port
- 1000 WOG
- Locking device
- Blow-out proof stem
- Oval handle available



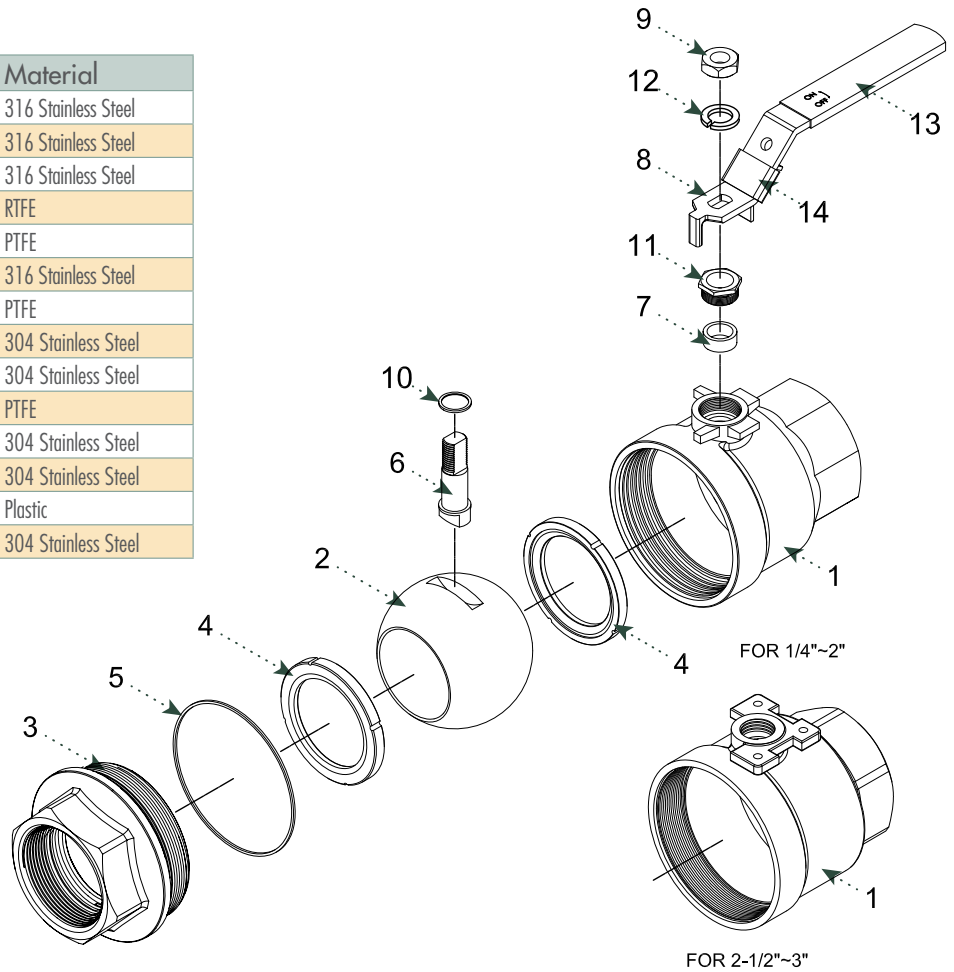
Dimensions



Dimensions (Inches)

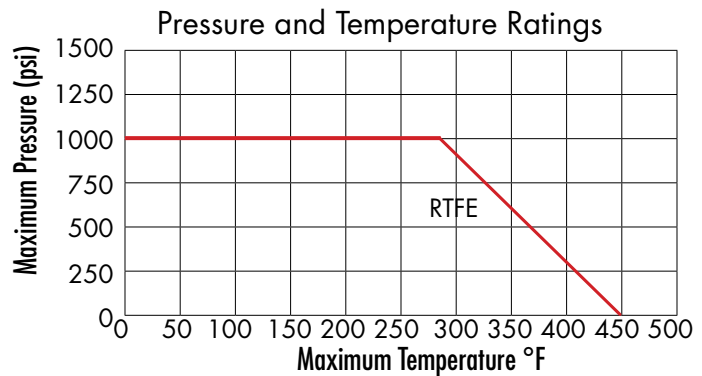
Size	A	B	C	D
1/4	2.00	0.43	1.81	4.00
3/8	2.00	0.43	1.81	4.00
1/2	2.36	0.50	1.89	4.00
3/4	2.75	0.80	2.04	5.00
1	3.25	1.00	2.44	5.75
1-1/4	3.80	1.25	2.56	5.75
1-1/2	4.33	1.50	2.96	7.50
2	5.27	2.00	3.25	7.50
2-1/2	6.58	2.50	5.00	9.73
3	7.55	3.00	5.40	9.73

No.	Part Name	Qty	Material
1	Body	1	316 Stainless Steel
2	Ball	1	316 Stainless Steel
3	Cap	1	316 Stainless Steel
4	Seat	2	RTFE
5	Gasket	1	PTFE
6	Stem	1	316 Stainless Steel
7	Stem Packing	1 Set	PTFE
8	Handle	1	304 Stainless Steel
9	Nut	1	304 Stainless Steel
10	Thrust Washer	1	PTFE
11	Galand Nut	1	304 Stainless Steel
12	Spring Washer	1	304 Stainless Steel
13	Handle Cover	1	Plastic
14	Locking Pad	1	304 Stainless Steel



Technical Information

Size	Cv	Weight
1/4	6	0.6
3/8	6	0.5
1/2	24	0.7
3/4	35	1.1
1	47	1.7
1-1/4	81	2.6
1-1/2	105	4.1
2	241	6.8
2-1/2	319	14.7
3	580	22.4



Ordering

Fig: 1/2 - 50M76
Description: 1/2" - Series 50M76

Size	Series	Options
1/4	1-1/4	50M76 OH Oval Handle
3/8	1-1/2	
1/2	2	
3/4	2-1/2	
1	3	