

Series 5303

3-Piece Ball Valve

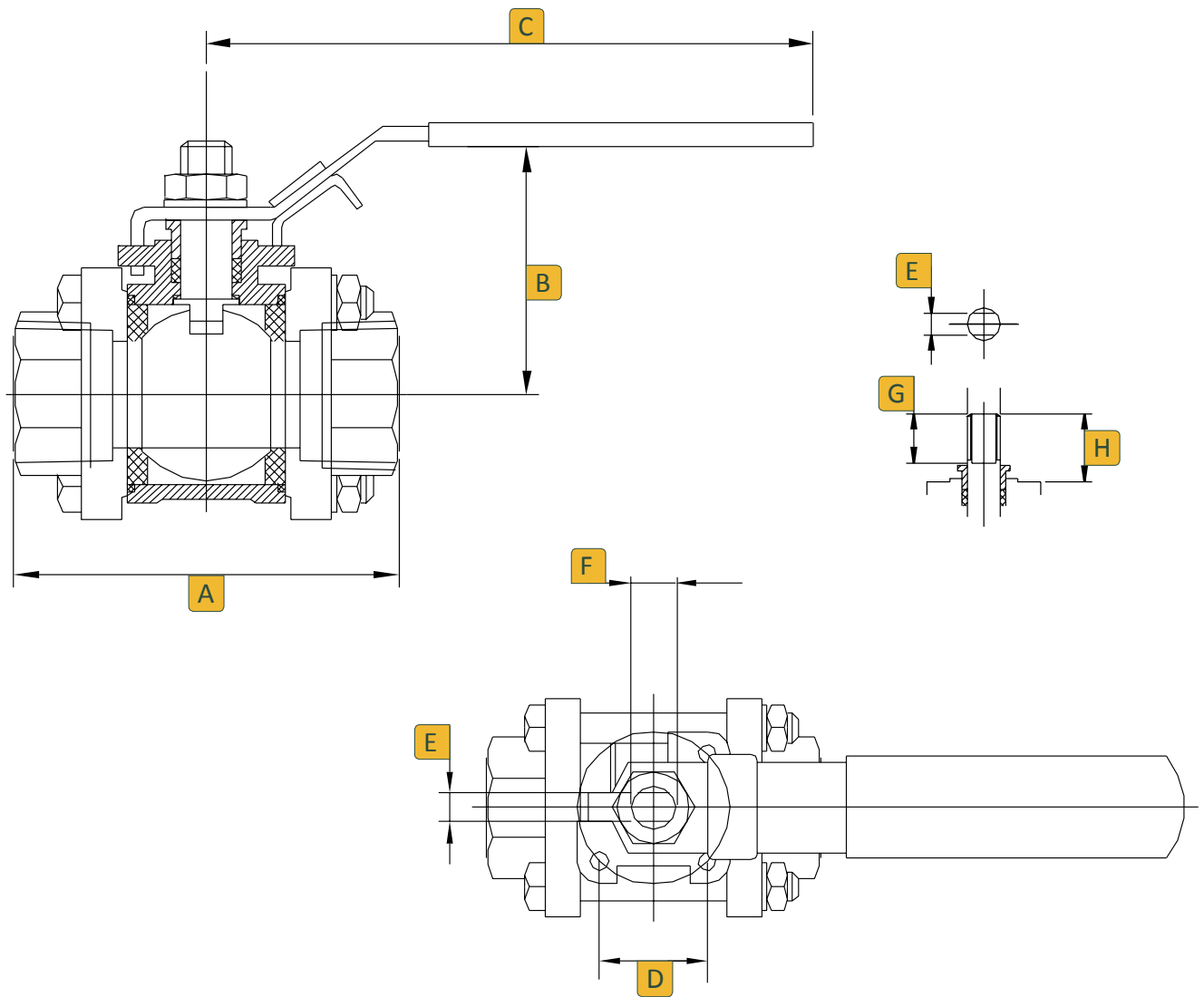


Valves, Automation & Controls

Features

- 3- Piece Design Full port
- 1000 WOG
- Locking Device
- ISO 5211 mounting pad
- RTFE Seats
- Blow-out proof stem
- Locking device
- ASME B16.11 socket weld and threaded ends
- ASME B16.34

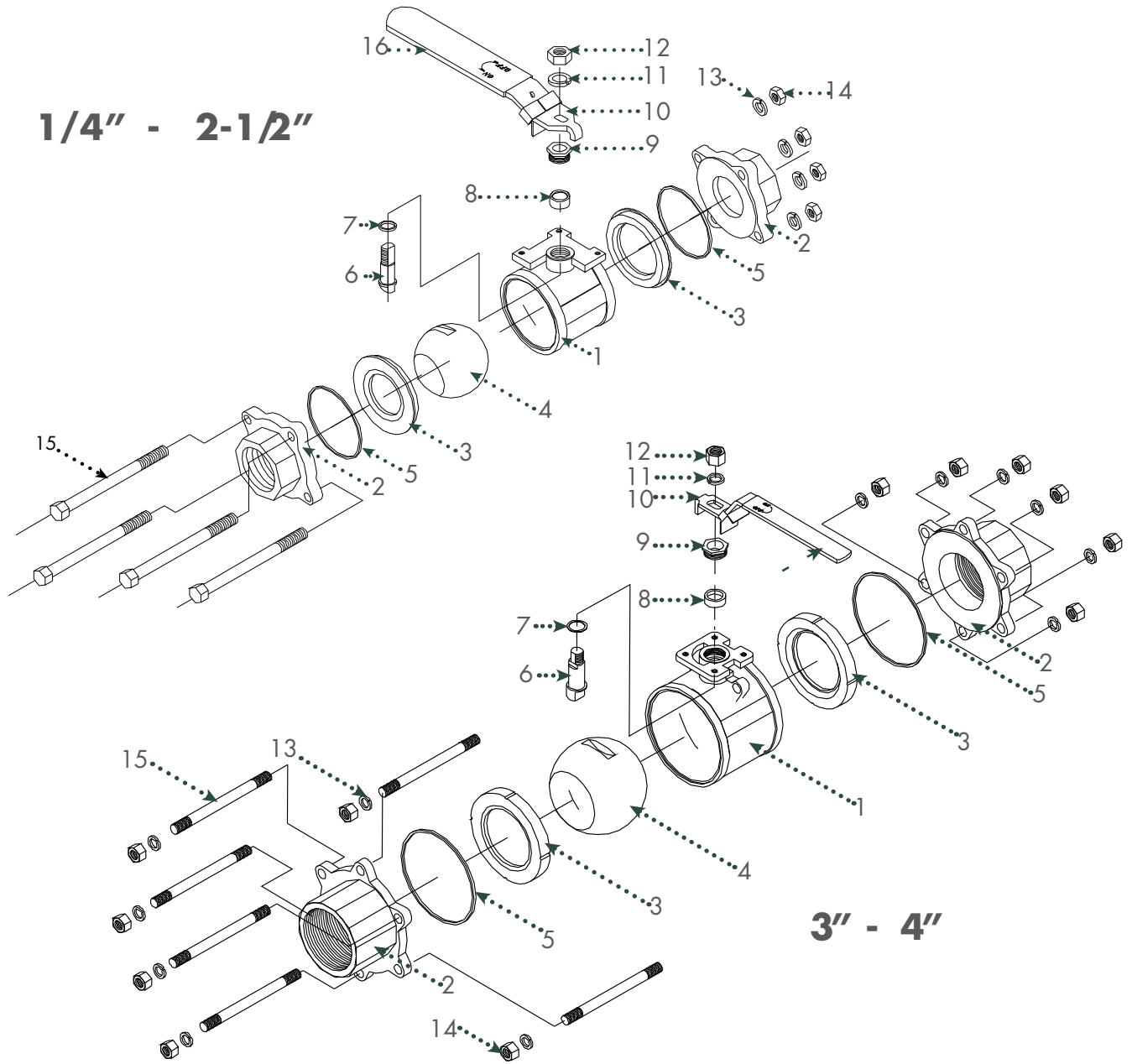




Dimensions (Inches)

Size	A	B	C	D	E	F	G	H
1/4	2.56	1.89	4.05	1.00	0.20	5/16	0.45	0.61
3/8	2.56	1.89	4.05	1.00	0.20	5/16	0.45	0.61
1/2	2.83	2.00	4.05	1.00	0.20	5/16	0.45	0.58
3/4	3.34	2.12	4.92	1.17	0.26	3/8	0.45	0.63
1	3.62	2.48	5.70	1.17	0.32	7/16	0.59	0.85
1-1/4	4.33	2.71	5.70	1.17	0.32	7/16	0.59	0.81
1-1/2	4.83	3.03	7.48	1.39	0.38	9/16	0.61	0.91
2	5.58	3.38	7.48	1.39	0.38	9/16	0.61	0.93
2-1/2	6.84	5.21	9.84	1.95	0.47	3/4	1.142	1.56
3	7.59	5.63	9.84	1.95	0.47	3/4	1.142	1.55
4	10.79	6.71	11.34	2.84	0.59	3/4	1.008	1.78

1/4" - 2-1/2"

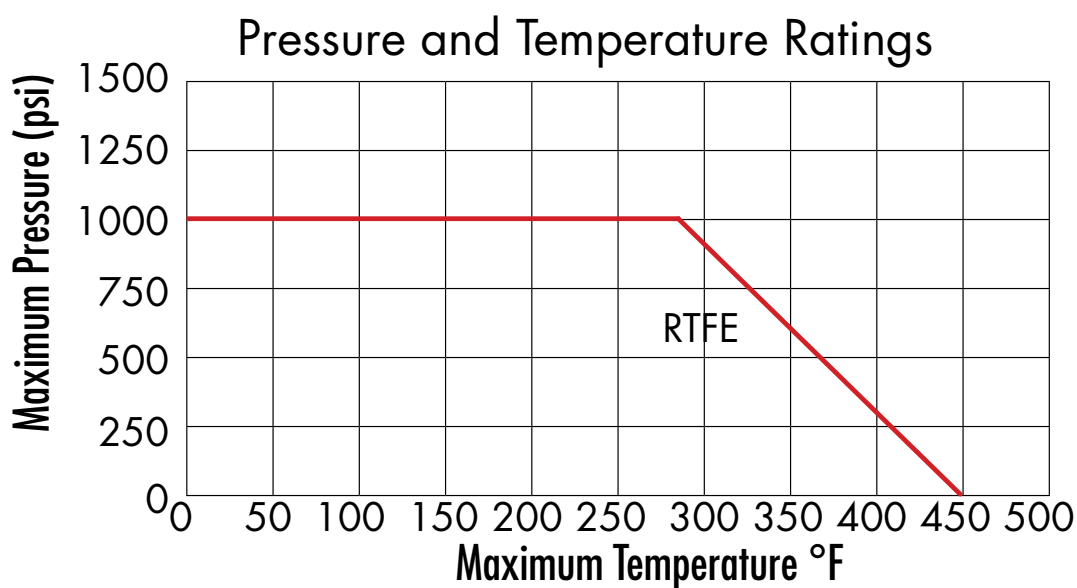


3" - 4"

No.	Part Name	Qty	Material
1	Body	1	316 Stainless Steel, ASTM A351 CF8M Carbon Steel, ASTM A216 WCB
2	Pipe Ends	2	316 Stainless Steel, ASTM A351 CF8M Carbon Steel, ASTM A216 WCB
3	Seat	2	RTFE 15% Glass Reinforced
4	Ball	1	316 Stainless Steel
5	Body Seal	2	PTFE
6	Stem	1	316 Stainless Steel
7	Thrust Washer	1	PTFE
8	Stem Packing	1	PTFE

No.	Part Name	Qty	Material
9	Gland	1	304 Stainless Steel
10	Handle	1	304 Stainless Steel
11	Handle Washer	1	304 Stainless Steel
12	Handle Nut	1	304 Stainless Steel
13	Body Washer	4/12	304 Stainless Steel
14	Body Nut	4/12	316 Stainless Steel
15	Body Bolt	4/6	304 Stainless Steel
16	Handle Sleeve	1	PVC

Size	CV	PORT	Weight
1/4	20	0.45	0.9
3/8	25	0.45	0.9
1/2	28	0.59	1.1
3/4	50	0.78	1.8
1	70	1.00	2.6
1-1/4	112	1.25	4.0
1-1/2	170	1.50	6.3
2	395	2.0	9.7
2-1/2	835	2.50	18.7
3	860	3.00	29.5
4	1780	4.00	47.5



Ordering

Fig: 3/4 - 5303 - 4 - OH
 Description: 3/4" - Series 5303 - Carbon Steel - Oval Handle

Size	Valve Series	Body & Ends	Options
1/4	5303	4 Carbon Steel	OH Oval Handle
3/8		6 316 Stainless Steel	E Extended Stem
1/2			SF Silicone Free
1-1/4			TE Threaded Ends
1-1/2			SW Socket Weld
2			BW Butt-weld Sch. 40
2-1/2			BW5 Butt-weld Sch. 5
3			BW10 Butt-weld Sch. 10
4			