

Series 54

1-Piece Flanged Ball Valve



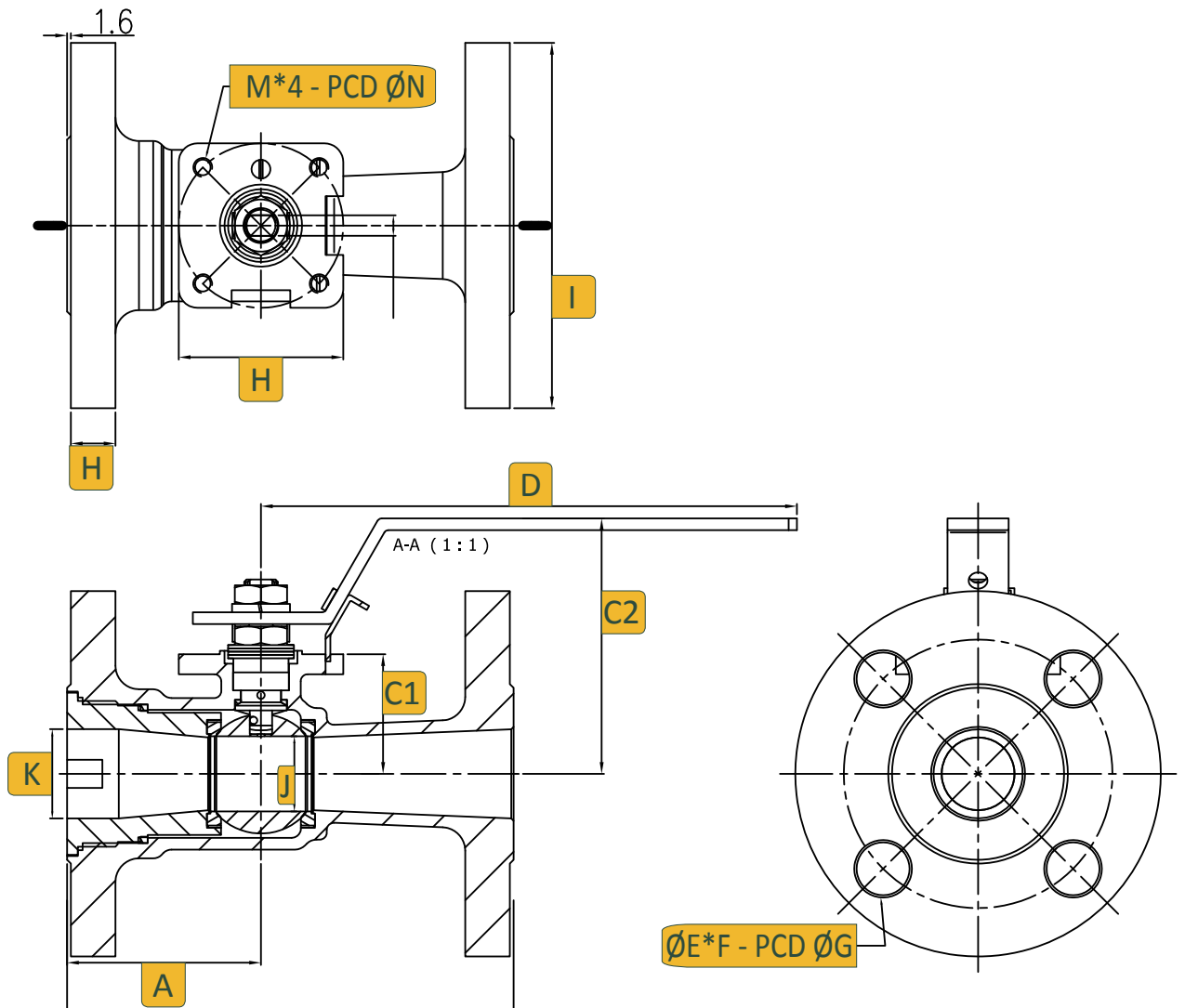
Valves, Automation & Controls

Features

- Standard port
- Class 150
- Locking device
- Blow-out proof stem
- NACE MR-0175
- ISO 5211 mounting pad
- ASME B16.10 face to face
- ASME B16.34 shell wall thickness, basic design & pressure testing
- ASME B16.5 flange dimensions
- API 598 pressure testing (optional)

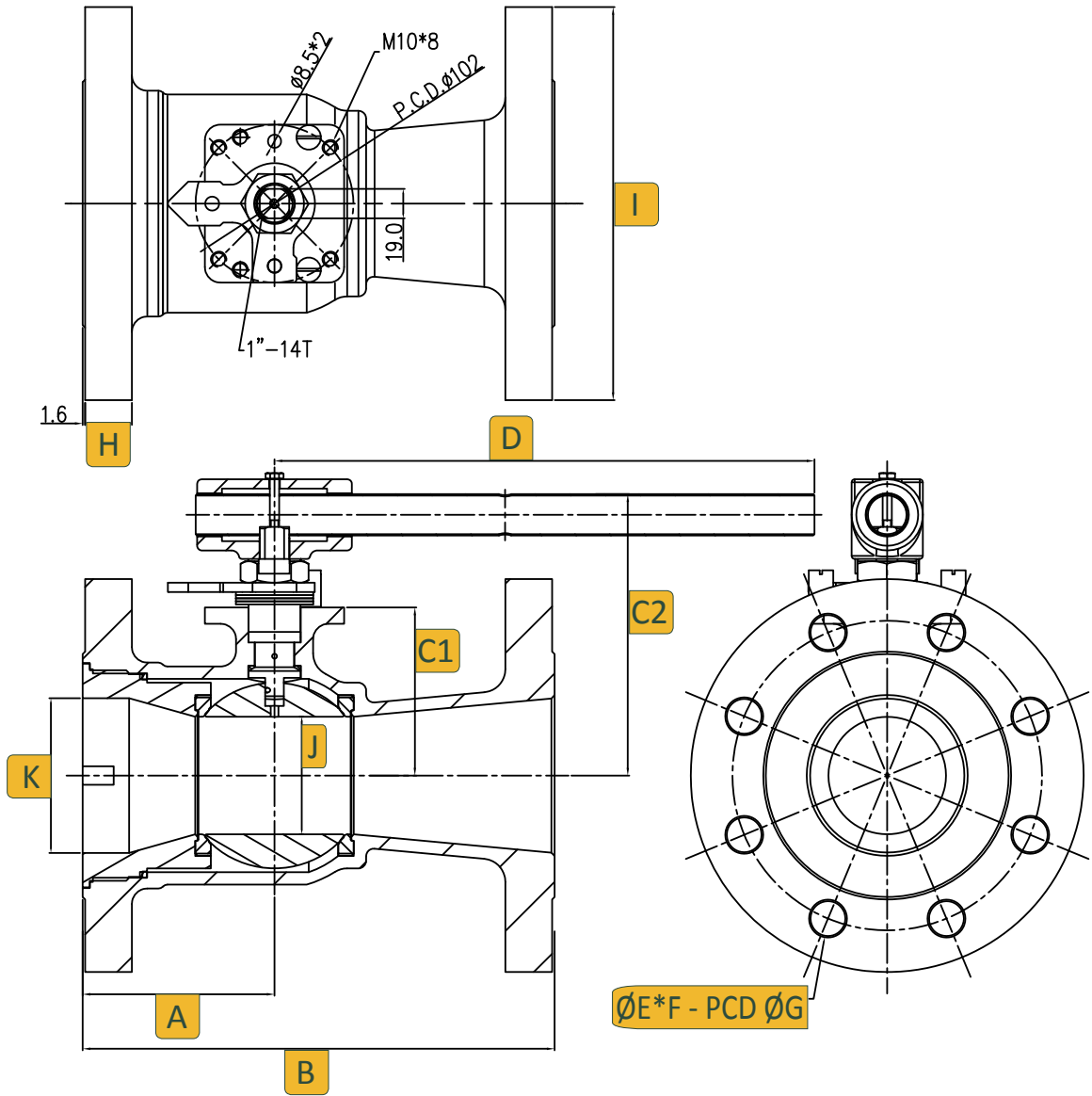


1" - 2-1/2" Dimensions

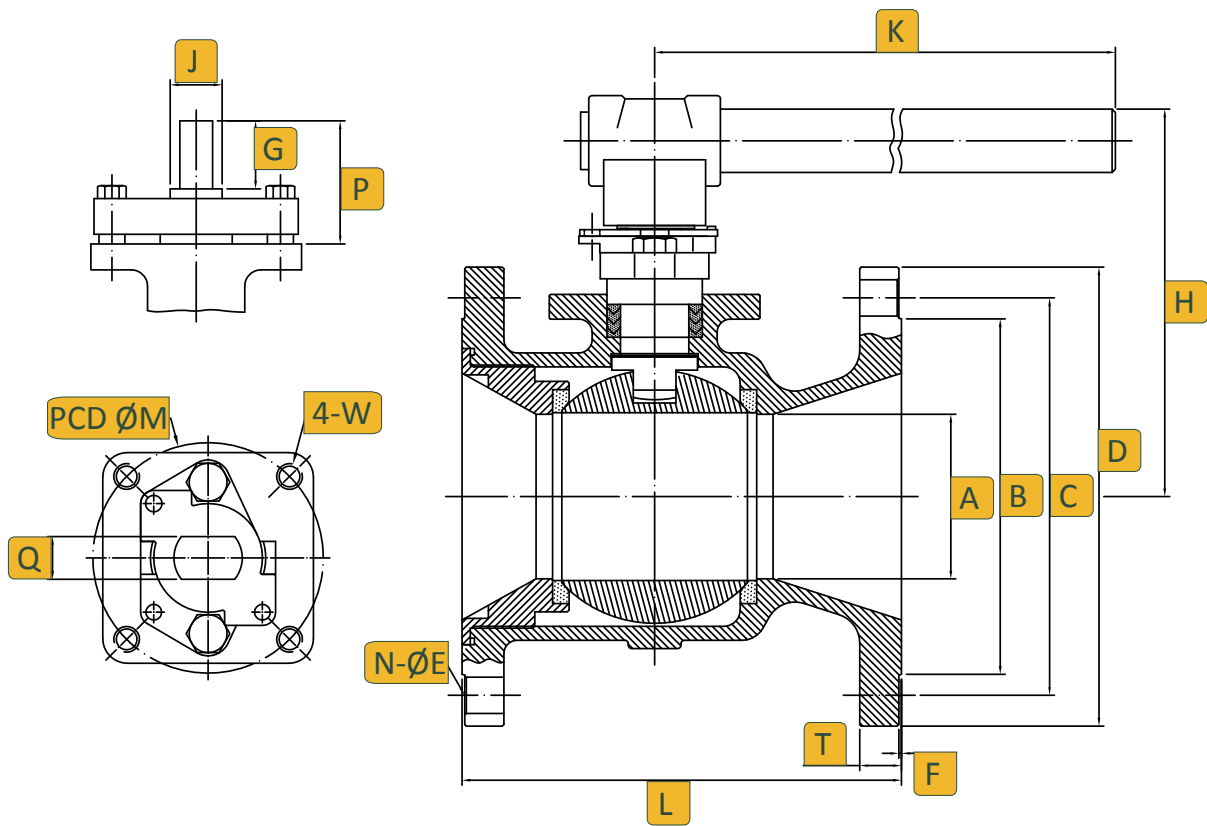


Size	A	B	C1	C2	D	E	F	G	H	I	J	K	L	M	N
1"	2.50	5.00	1.48	3.58	4.75	0.63	4	3.12	0.46	4.25	0.79	1.00	0.22	M6	1.97
1 1/2"	2.85	6.50	2.00	4.00	9.00	0.63	4	3.88	0.63	5.00	1.18	1.50	0.34	M8	2.76
2"	2.59	7.01	2.38	4.50	9.00	0.75	4	4.74	0.69	6.00	1.46	1.97	0.34	M8	2.76
2 1/2"	3.54	7.48	2.64	5.50	9.00	0.75	4	5.50	0.82	7.01	2.00	2.56	0.34	M8	2.76

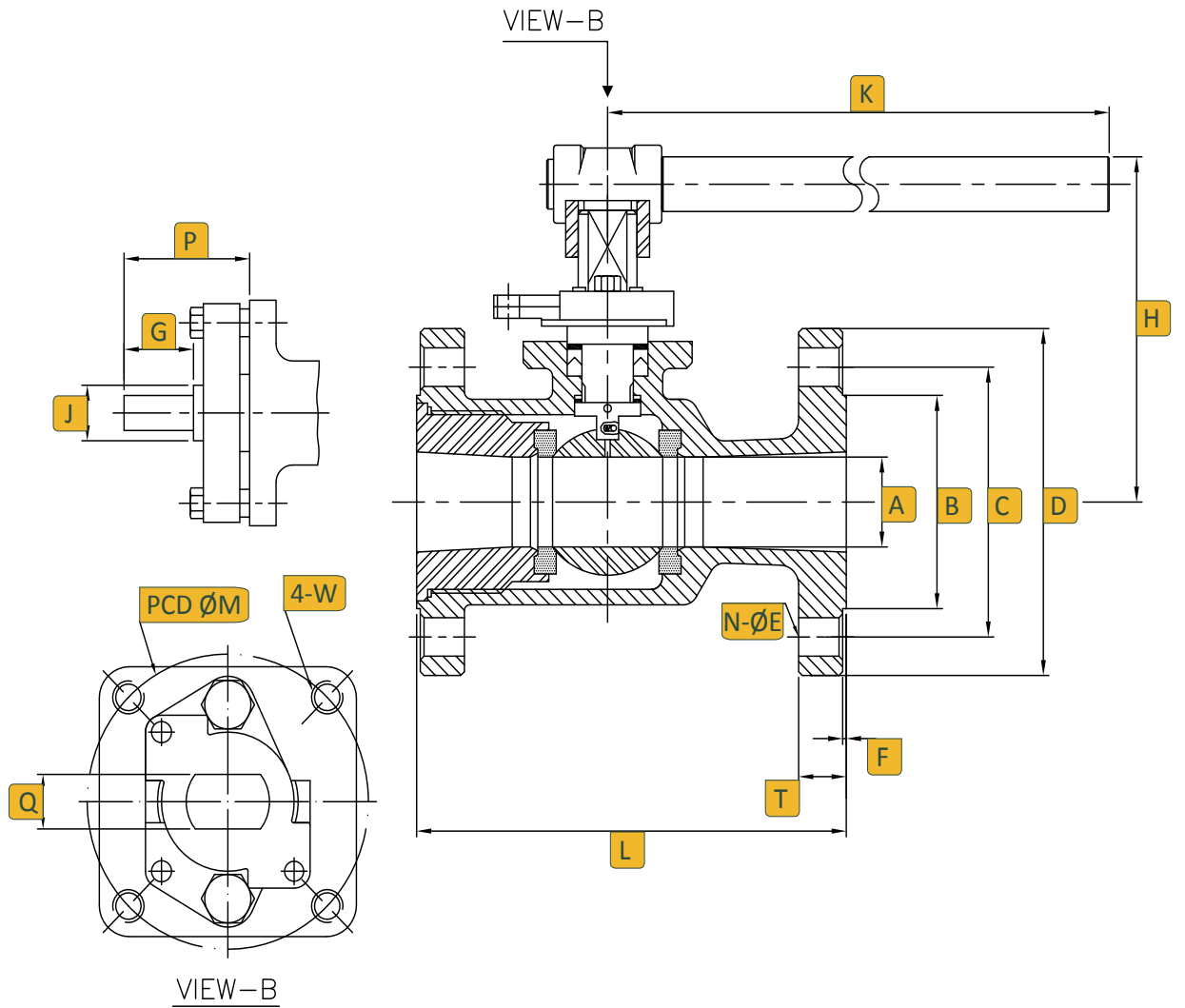
3" - 4" Dimensions



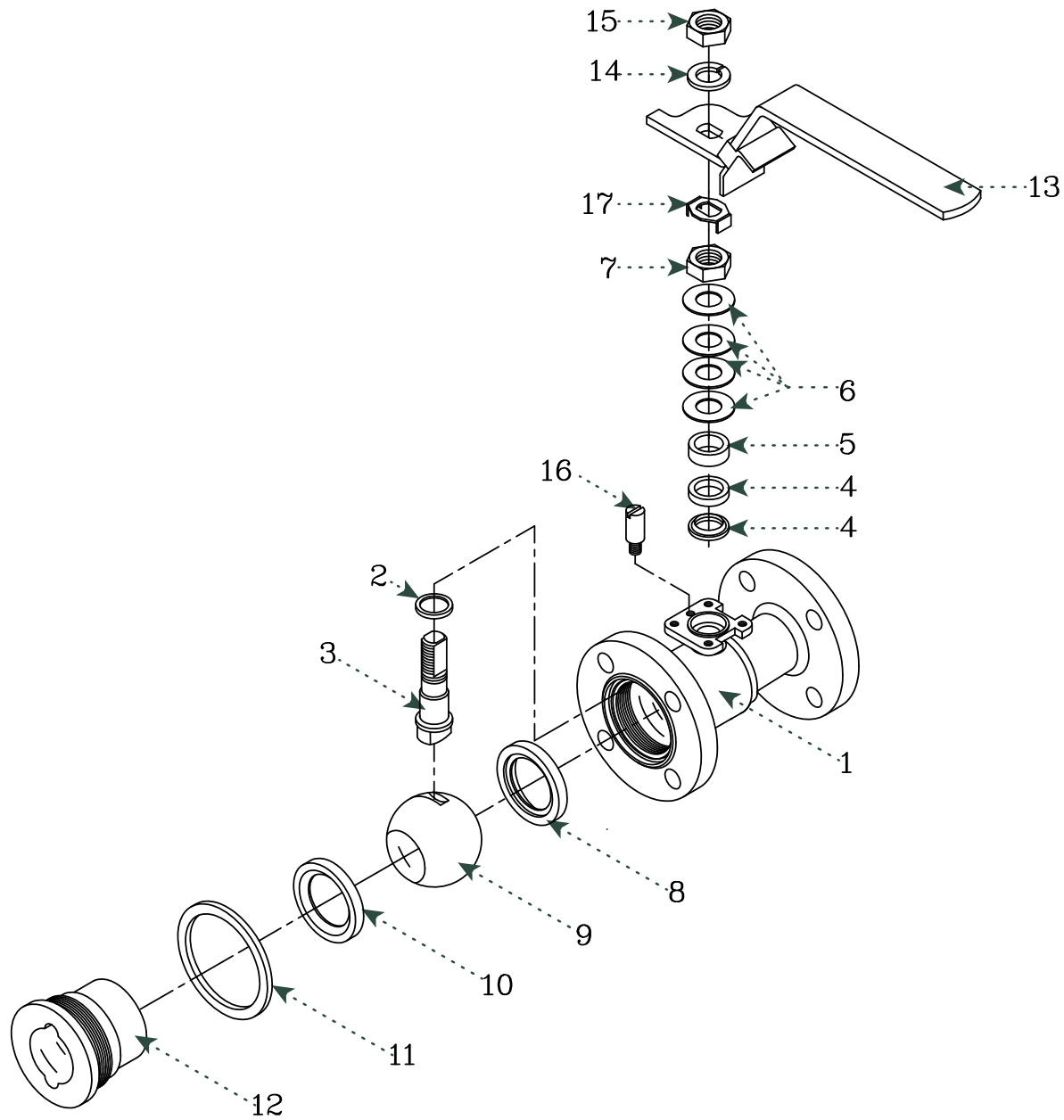
Size	A	B	C1	C2	D	E	F	G	H	I	J	K
3"	4.00	7.99	3.84	6.57	13.74	0.75	4	6.00	0.88	7.48	2.56	2.99
4"	4.49	8.98	4.28	6.95	13.74	0.75	8	7.50	0.88	9.02	2.99	3.94



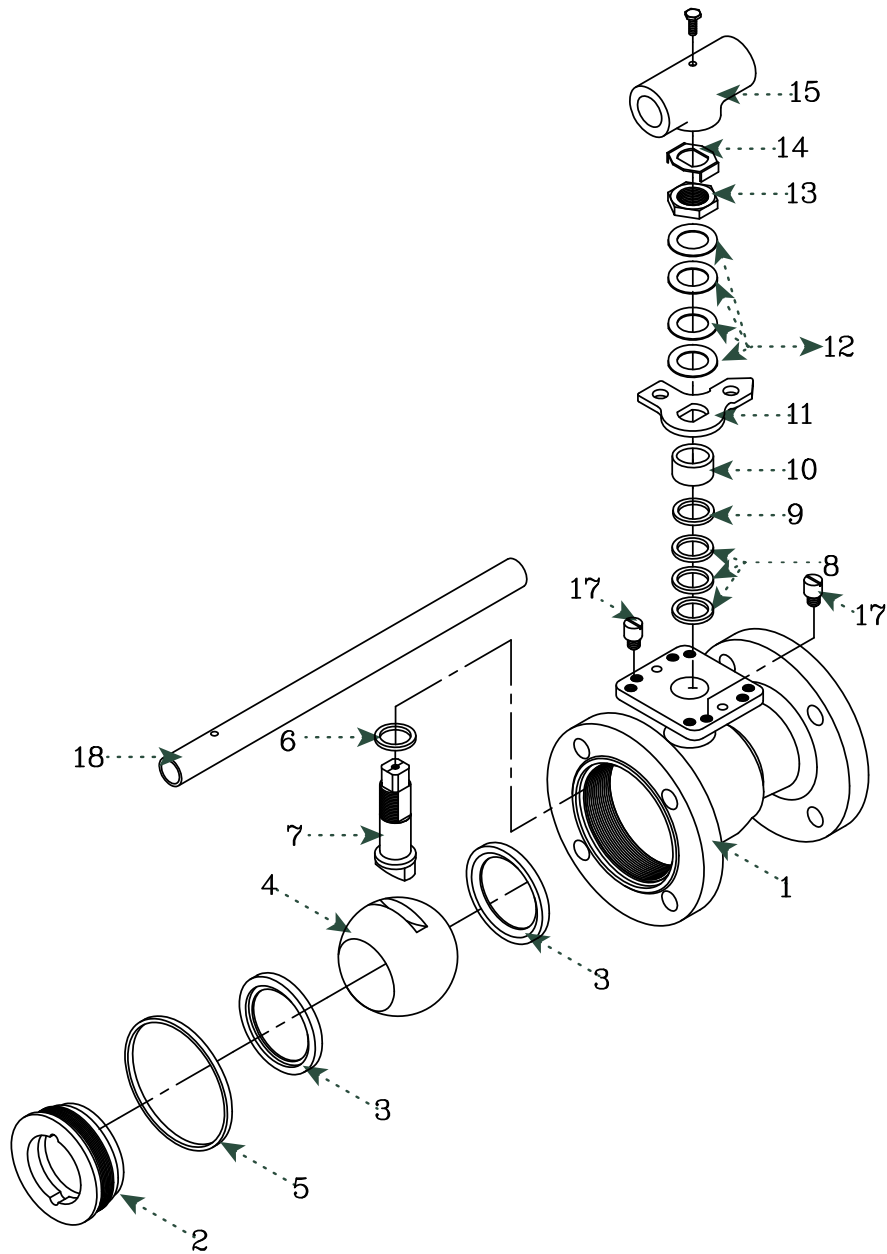
Size	A	B	C	D	E	F	T	N	H	K	L	J	Q	G	P	M	W
6"	4.00	8.50	9.50	10.98	0.86	0.06	1.00	8	9.27	25.6	10.50	1.63	1.02	1.69	3.07	5.51	5/8-11



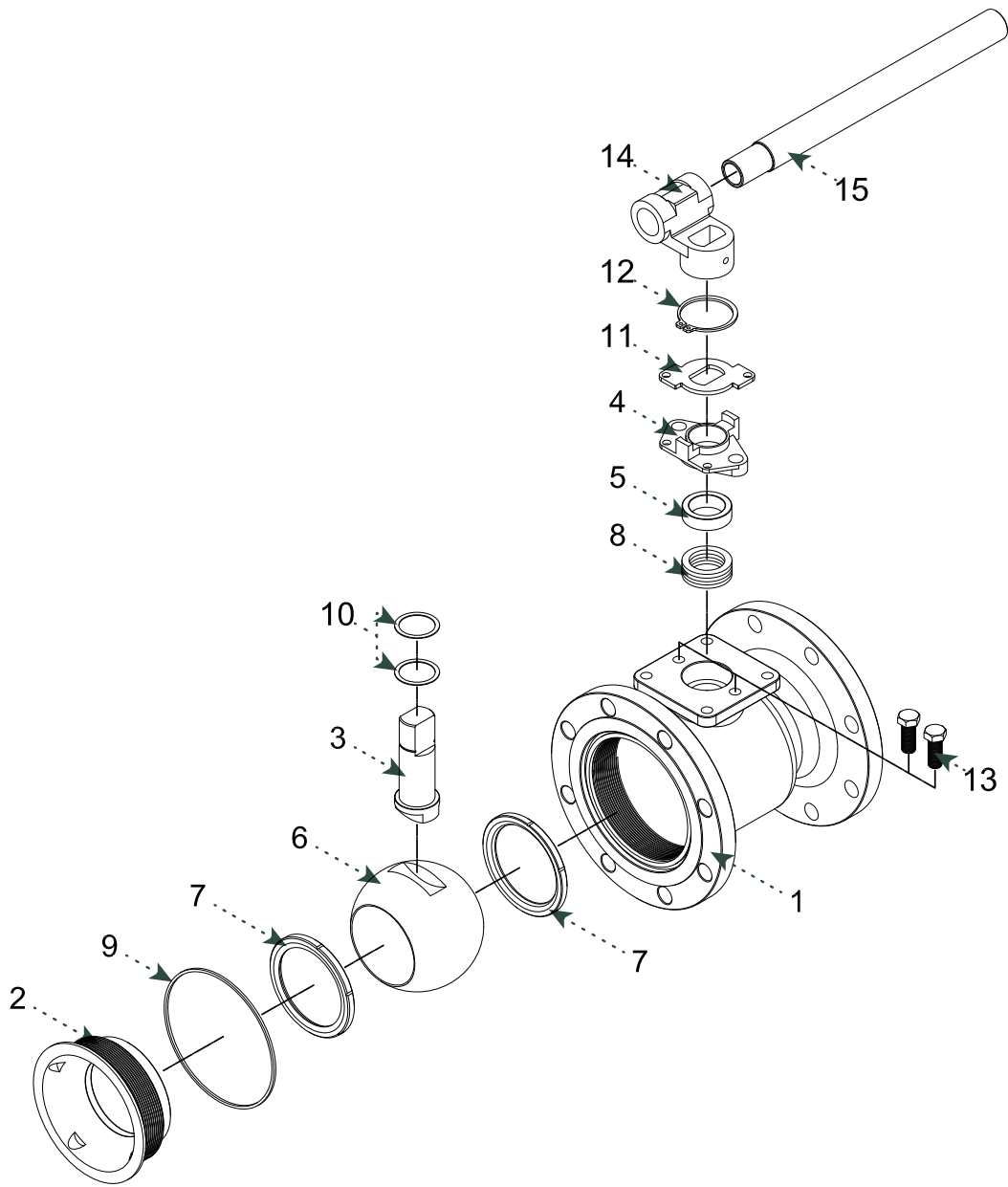
Size	A	B	C	D	E	F	T	N	H	K	L	J	Q	G	P	M	W
8"	5.98	10.63	11.75	13.50	0.87	0.06	1.13	8	11.89	25.59	11.50	1.71	1.02	1.65	3.58	4.92	M12X1.75



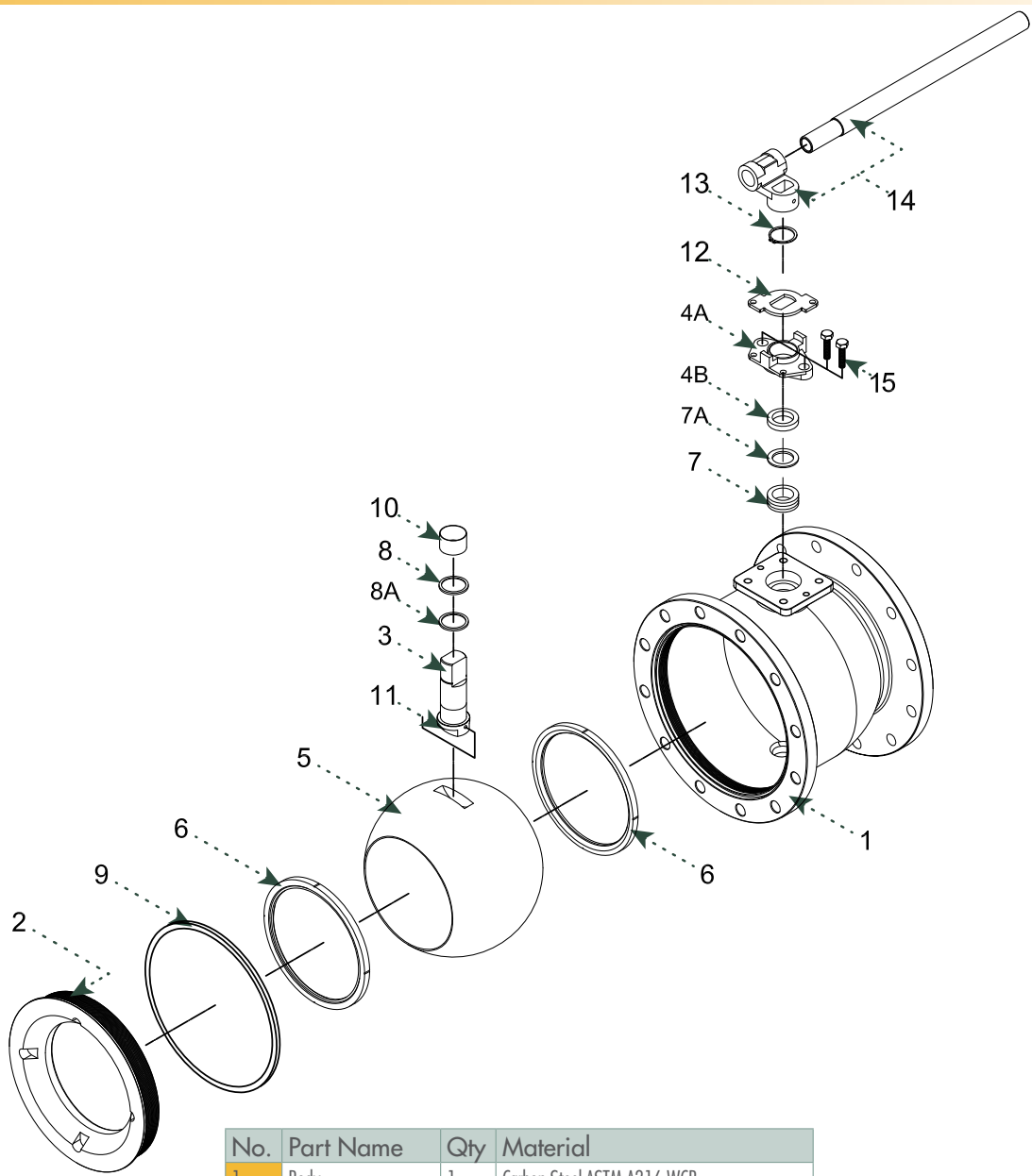
No.	Part Name	Qty	Material
1	Body	1	Carbon Steel ASTM A216 WCB, 316 Stainless Steel ASTM A351 CF8M
2	Thrust Bearing	1	MG1241, RTFE, PTFE
3	Stem	1	316 Stainless Steel
4	Stem Packing	2	MG1241, RTFE, PTFE
5	Gland Packing	1	304 Stainless Steel
6	Belleville Washer	4	Stainless Steel
7	Packing Nut	1	304 Stainless Steel
8	Seat	1	RTFE, PTFE
9	Ball	1	316 Stainless Steel
10	Seat	1	MG1241, RTFE, PTFE
11	Body Seal	1	MG1241, RTFE, PTFE
12	Pipe Ends	1	Carbon Steel ASTM A216 WCB, 316 Stainless Steel ASTM A351 CF8M
13	Handle	1	304 Stainless Steel
14	Lock Washer	1	304 Stainless Steel
15	Handle Nut	1	304 Stainless Steel
16	Stop Pin	1	304 Stainless Steel
17	Lock Tab	1	304 Stainless Steel



No.	Part Name	Qty	Material
1	Body	1	Carbon Steel ASTM A216 WCB, 316 Stainless Steel ASTM A351 CF8M
2	Pipe Ends	1	Carbon Steel ASTM A216 WCB, 316 Stainless Steel ASTM A351 CF8M
3	Seat	2	PTFE, RTFE
4	Ball	1	316 Stainless Steel
5	Body Seal	1	MG1241, PTFE, RTFE
6	Thrust Bearing	1	MG1241, PTFE, RTFE
7	Stem	1	316 Stainless Steel
8	Stem Packing	3	MG1241, PTFE, RTFE
9	Washer	1	304 Stainless Steel
10	Gland Packing	1	304 Stainless Steel
11	Stopper	1	304 Stainless Steel
12	Bellville Washer	4	304 Stainless Steel
13	Packing Nut	1	304 Stainless Steel
14	Lock Tab	1	304 Stainless Steel
15	Wrench Block	1	304 Stainless Steel
16	Hex Head Bolt	1	304 Stainless Steel
17	Stop Pin	2	304 Stainless Steel
18	Handle	1	304 Stainless Steel



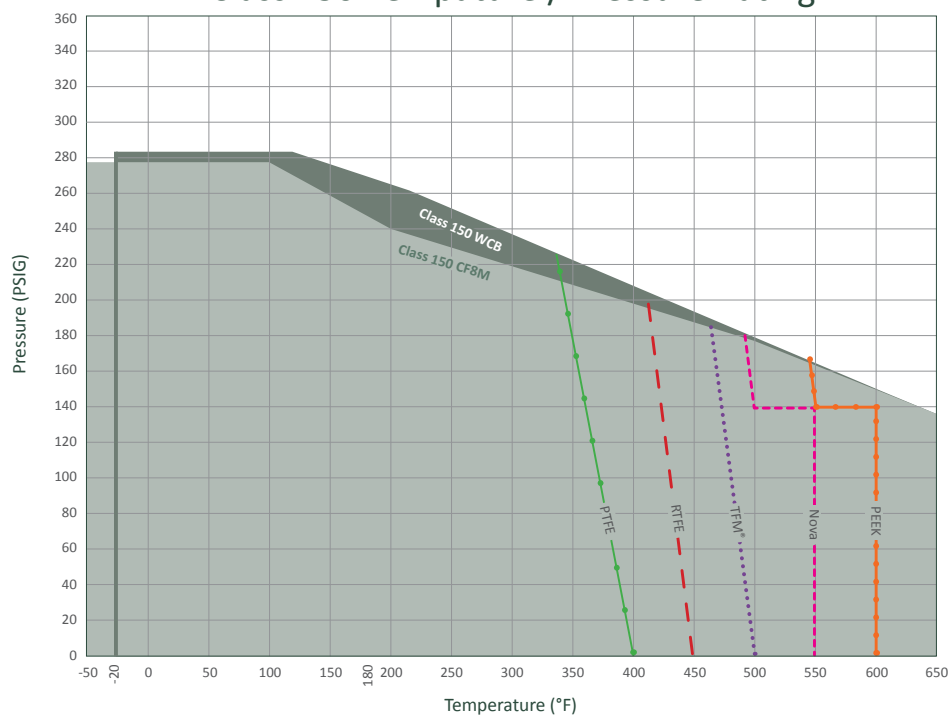
No.	Part Name	Qty	Material
1	Body	1	Carbon Steel ASTM A216 WCB, 316 Stainless Steel ASTM A351 CF8M
2	Cap	1	Carbon Steel ASTM A216 WCB, 316 Stainless Steel ASTM A351 CF8M
3	Stem	1	316 Stainless Steel
4	Gland	1	Carbon Steel ASTM A216 WCB, 316 Stainless Steel ASTM A351 CF8M
5	Sleeve	1	Carbon Steel 304 Stainless Steel
6	Ball	1	316 Stainless Steel
7	Seat	2	RTFE
8	Packing	4	PTFE
9	Gasket	1	PTFE
10	Thrust Washer	2	PTFE
11	Travel Stopper	1	Zinc Plated Carbon Steel 304 Stainless Steel
12	Snap Ring	1	Nickel Plated Carbon Steel
13	Gland Bolt	2	Carbon Steel 304 Stainless Steel
14	Pipe Grip	1	S15C
15	Junction Head	1	Ductile Iron



No.	Part Name	Qty	Material
1	Body	1	Carbon Steel ASTM A216 WCB, 316 Stainless Steel ASTM A351 CF8M
2	Pipe Ends	1	Carbon Steel ASTM A216 WCB, 316 Stainless Steel ASTM A351 CF8M
3	Stem	1	316 Stainless Steel
4A	Gland	1	Carbon Steel ASTM A216 WCB, 316 Stainless Steel ASTM A351 CF8M
4B	Sleeve	1	Carbon Steel 304 Stainless Steel
5	Ball	1	316 Stainless Steel
6	Seat	2	RTFE
7	Packing(1)	1	RTFE
7A	Packing(2)	1	50% PTFE + 50% 316 Stainless Steel
8	Thrust Washer	1	316 Stainless Steel
8A	Thrust Washer	1	50% PTFE + 50% 316 Stainless Steel
9	Gasket	1	PTFE
10	Stem Bearing	1	RTFE
11	Anti-Static	2	316 Stainless Steel
12	Travel Stopper	1	Plated Steel 304 Stainless Steel
13	Snap Ring	1	Nickel Plated Carbon Steel
14	Handle	1	Ductile Iron / Pipe Grip
15	Gland Bolt	2	Carbon Steel 304 Stainless Steel

Size	Cv	Weight
1	30	5.6
1-1/2	82	12.2
2	120	24.9
2-1/2	240	25.1
3	350	38.0
4	720	52.4
6	1020	79.2
8	1800	189.2

Class 150 Temperature / Pressure Rating



Ordering

Fig: 1 - 1/2 - 54 - 4 - R

Description: 1-1/2" - 54 - 150# Ends - Carbon Steel Body - RTFE Seat

Size	Series	Class	Alloy	Seat	Options
1	54	11 150#	4 Carbon Steel	T TFE	X Oxygen Service
1-1/2			6 Stainless Steel	R RTFE	OH Oval Handle
2			2 Alloy 20	N Nova	F Fugitive Emissions Certified ANSI 593.00.01
2-1/2			3 Monel	M TFM	E Extended Stem
3			5 Hastelloy C	P Peek	L Lockable Handle
4					D Leak Detection Stem
6					GO Gear Operator
8					7 17-4PH Stem
				A NACE	