

SHARPE[®] VALVES

S T A I N L E S S S T E E L



**THREADED
GLOBE VALVE**

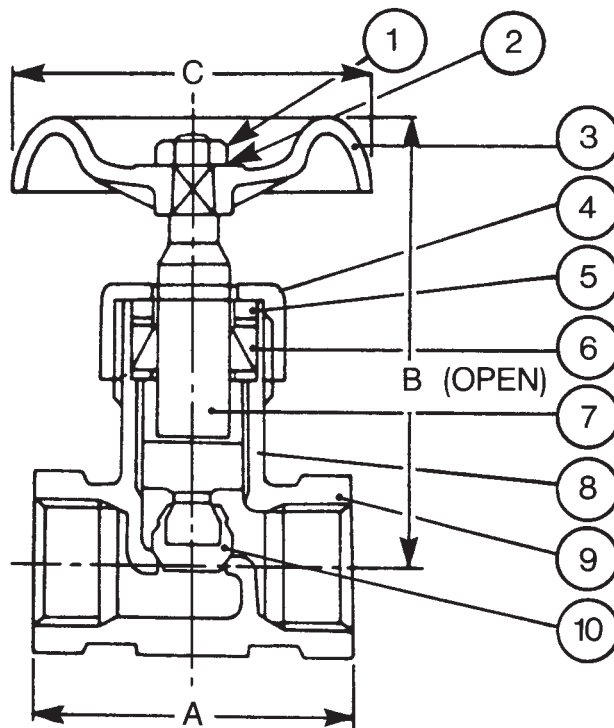
Threaded Globe Valve

ASTM-A351
200 PSI WOG AT 350°F
INSIDE SCREW AND SCREWED BONNET
RISING STEM

Fig. No. 40276

PART	NAME	MATERIAL
1	Hand Wheel Nut	304
2	Name Plate	Aluminum
3	Hand Wheel	Mild Steel
4	Packing Nut	CF8M
5	Packing Gland	304
6	Packing	Teflon
7	Stem	316
8	Bonnet	CF8M
9	Body	CF8M
10	Disc	316

Hydrostatic Shell Test	300 PSI
Hydrostatic Seat Test	220 PSI



DIMENSIONS IN INCHES

Size	1/2	3/4	1	1-1/4	1-1/2	2
A	2.56	3.15	3.54	4.13	4.72	5.51
B (Open)	3.54	3.74	4.53	5.12	5.70	6.10
C	2.36	2.76	3.15	3.15	3.54	3.94
Weight (lbs)	0.86	1.34	1.92	2.73	3.96	5.62

SHARPE VALVES
 A Division of Smith-Cooper International, LLC

Toll Free: 1-877-7SHARPE
(877) 774-2773
 Fax: (708) 562-9250
 Email: info@sharpevalves.com
www.sharpevalves.com
 1260 Garnet Drive
 Northlake, Illinois 60164 U.S.A.