



TYPE D208 ELECTRONIC ACTUATOR PILOT WITH ELECTRONIC TIME CONTROLLER

CONTROLS to 150 PSIG

- Can save more than 4 times it's cost in building heating in one year.
- Controlled Incremental Positioning of Main Valve
- Electronic Time Controller (ETC) Opens and/or Closes Valve in up to 96 Minute Time Period*
- Ambient Temperatures 20 to 120 °F (-7 to 49°C)
- For use with Balanced Main Valve only

OPTIONS

- Back-up (B.U.) Power Supply for up to 6 hours continued service during power failure.
- Explosion proof actuator, NEMA

TYPICAL CONFIGURATIONS

SLOW OPEN/CLOSE PRESSUREED208D

TYPE D208 ELECTRONIC PILOT ACTUATOR

APPLICATION DATA

- Building Control Systems

RATINGS

D208	120VAC, 50-60HZ, .3 AMPS
ETC	120VAC, 50-60HZ, .3 AMPS
B.U. Power Supply	120VAC, 60HZ, up to 6 AMPS

Canadian Registration # OC 0591.9C

*Timing periods are selectable from 6-96 minutes in 6 minute increments by setting a binary dip switch.

TYPE D208 ELECTRONIC ACTUATOR PILOT WITH ELECTRONIC TIME CONTROLLER

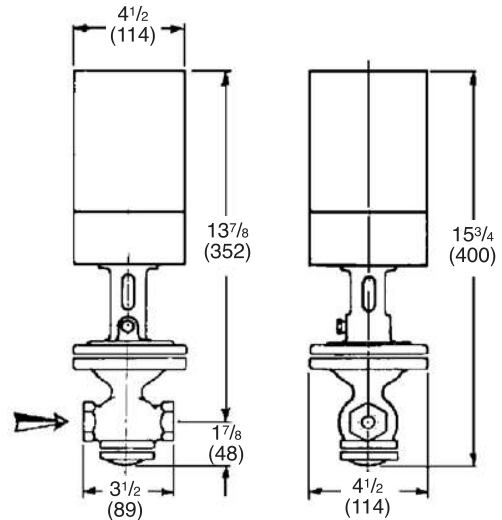
SPECIFICATION

The Actuator Pilot shall slowly close and/or open the steam system in a safe, quiet manner by incrementally reducing and/or increasing the pressure under the main valve diaphragm until it reaches dead-end shutoff or is fully open. In the event of a power failure, it shall stop in its present position unless a back-up power supply is specified. Such backup power supply shall provide a minimum of specified hours of operation and be maintained in a fully charged standby condition automatically.

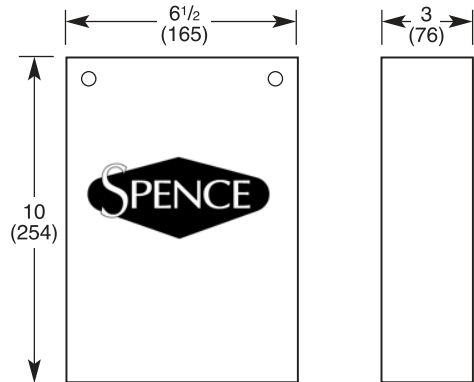
The Actuator Pilot shall be controlled by a totally solid state Electronic Time Controller which shall incrementally open and/or close the Actuator Pilot with 320 pulses in periods from 1-1/2, 2-1/2, 3, 6 - 96 minutes and shall be field adjustable in multiples of 6 minutes.

MATERIALS OF CONSTRUCTION

Body, Cast Iron	ASTM 126 Cl. B
Body, Carbon Steel	ASTM 216 Gr. WCB
Stem	303 St. Stl. ASTM 582 Cond. A
Disc	440 St. Stl ASTM 276-75 Cond. A
Seat	420 St. Stl. ASTM 276 Cond. A
Gasket	Non-asbestos



**TYPE D208 ELECTRONIC
ACTUATOR PILOT**



**TYPE D208 ELECTRONIC
TIME CONTROLLER (ETC)**

TYPE D208
ACTUATOR PILOT