

TYPE Q PILOT

# TYPE Q SERIES PILOTS BACK PRESSURE PILOTS

CONTROLS 3 to 300 PSIG

- Self Contained
- Spring Operated
- Normally Open
- Packless Construction
- Four Adjustable Spring Ranges
- Fluid, Gas & Vapor Applications
- Loading Pressure Supplied by any Fluid
- Accurate Regulation Unaffected by Service Conditions
- Easy In-line Maintenance

### OPTIONS

- Enclosed Spring Chamber
- Adjusting Handle
- High Pressure

### MODELS

- **TYPE Q** for ± 1 psig accuracy controlling back pressures between 3 and 150 psig.
- **TYPE Q2** for ± 2 psig accuracy controlling back pressures between 100 and 300 psig.
- **TYPE Q73** air adjusted for ± 1 psig accuracy controlling back pressure at high retained pressures when available loading air is at low pressure. Delivery to loading pressure is 6-2/3 to 1 psig.

### TYPICAL CONFIGURATIONS

- BACK PRESSURE CONTROL.....TYPE EQ
- BACK PRESSURE CONTROL .....TYPE E2Q
- BACK PRESSURE CONTROL .....TYPE E5Q

SIZING INFO  
PAGE 118

### APPLICATION DATA

- Pump Bypass
- Maintain Upstream Pressure in Steam Distribution Systems
- Maintain Upstream Pressure in Liquid Distribution Systems

### RATINGS (Maximum Inlet Conditions)

Construction	Pressure PSIG (bar)	Temperature °F (°C)
Cast Iron	250 (17.2) @	450 (232)
Cast Steel	600 (41.4) @	750 (400)

### SPRING PRESSURE RANGES (PSIG)

TYPE Q	TYPE Q2
3-20	100-300
5-50	
10-100	
20-150	

Canadian Registration # OC 0591.9C

# TYPE Q SERIES PILOTS

## BACK PRESSURE PILOTS

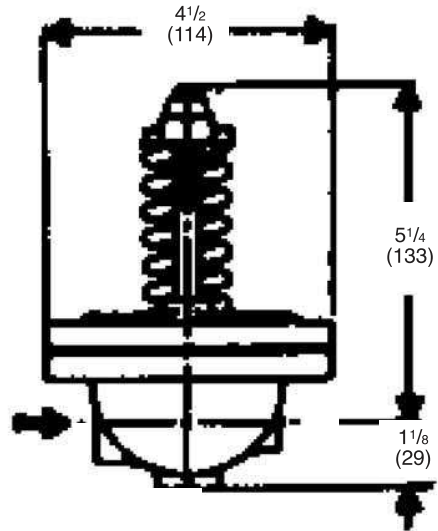
### SPECIFICATION

The Pilot shall be separate from the main valve and connected to it with a male union. The Pilot shall be normally closed design with packless construction. A strainer screen shall be built into the Pilot inlet. The Pilot shall be interchangeable on all sizes of main valves.

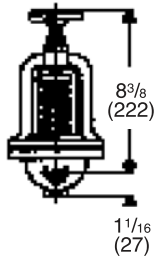
### MATERIALS OF CONSTRUCTION

Body, Cast Iron .....ASTM A126 CI B  
 Body, Cast Steel .....ASTM A216 GR. WCB  
 Disc .....440 St. St. ASTM A276-75 COND A  
 Seat .....440 St. St. ASTM A276-75 COND A  
 Gasket .....Non-Asbestos  
 Diaphragm .....301 St. Stl. MIL-5-5059C  
 Spring .....Steel

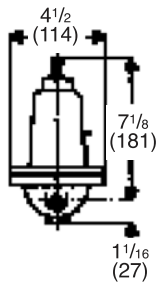
TYPE Q BACK  
PRESSURE PILOT



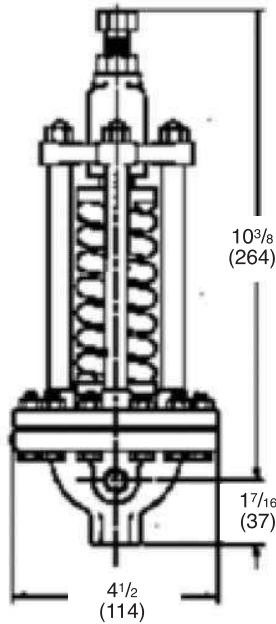
**TYPE Q PILOT**  
**7 LBS.**  
**(3.2 KG)**



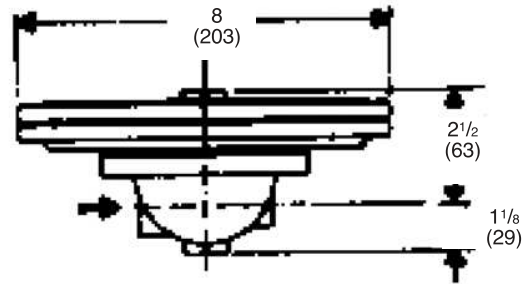
**ADJUSTING  
HANDWHEEL**



**SPRING CHAMBER**



**TYPE Q2 PILOT**  
**10 LBS.**  
**(4.5 KG)**



**TYPE Q73 PILOT**  
**15 LBS.**  
**(6.8 KG)**