

Rear Connect Compact Style

BIMETAL THERMOMETERS



B822Y04 shown

- ▶ 2" Dial Size
- ▶ ± 1.0% Full Scale Accuracy
- ▶ Stainless Steel Case & Stem
- ▶ Hermetically Sealed Design

Designed for minimum space applications, this compact, low-cost thermometer maintains the accuracy, responsiveness, and durability for which the Trerice Line of Bimetal Thermometers is known. The stainless steel case is hermetically sealed.

- Optional features available: Please consult the Options & Accessories Section for details.
- Thermowell
- For corrosive or pressure applications, use of a thermowell is recommended to prevent damage to the thermometer and facilitate its removal from the process (refer to pages 155-161).
- For correct use and application of all Bimetallic thermometers, please refer to the Bimetallic Actuated Thermometer Standard ASME B40.3.

HOW TO ORDER

Sample Order Number: **B822Y 04 05**

Model	Stem Length	Range Code
B822Y	02 2 1/2"	Stem See Standard Ranges
B822YP	04 4" Stem	
	06 6" Stem	

Other stem lengths and ranges available. Please consult factory.

Standard Ranges

Dual Scale (Fahrenheit & Celsius Range)		Fahrenheit		Celsius	
Range Code	Range	Figure Intervals	Minor Divisions	Figure Intervals	Minor Divisions
02	-40° to 160°F & -40° to 70°C	20°	2°	10°	1°
03	25° to 125°F & -5° to 50°C	10°	1°	5°	1/2°
27	0° to 250°F & -20° to 120°C	50°	2°	20°	2°
05	20° to 240°F & -10° to 115°C	20°	2°	10°	1°
08	50° to 500°F & 10° to 260°C	50°	5°	20°	2°

Specifications

Models	Dial Size
B822Y	2" (Threaded)
B822YP	2" (Plain)

Case 300 stainless steel, hermetically sealed

Stem **B822Y:** 300 stainless steel 1/4" diameter

B822YP: 300 stainless steel 9/64" diameter

Coil Bimetallic, silicone dampened on ranges to 300°F (148°C), above 300°F not dampened

Connection **B822Y:** Rear, 1/4 NPT
B822YP: Rear, unthreaded

Window Glass

Pointer Balanced, black finished

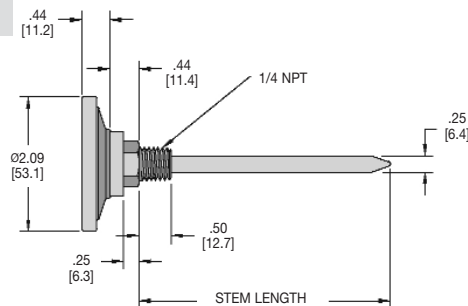
Dial Face Aluminum, silver background with black graduations and markings

External Reset Yes

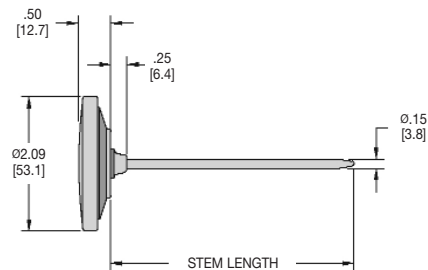
Accuracy ±1.0 % Full Scale ASME B40.3 Grade A

Approximate Shipping Weight
0.4 lbs [0.18 kg]

B822Y



B822YP



All dimensions are nominal. Dimensions in [] are in millimeters.

Pocket Bimetal

BIMETAL THERMOMETERS

Specifications

Model	Dial Size
B811	1"
Case	300 stainless steel, hermetically sealed
Stem	300 stainless steel, 9/64" diameter
Coil	Bimetallic
Connection	Rear, unthreaded
Window	Acrylic
Pointer	Black finished
Dial Face	White background with black graduations and markings
External Reset	Yes
Accuracy	±5.0 % Full Scale ASME B40.3 Grade C
Approximate Shipping Weight	0.1 lbs [0.05 kg]



B81106 shown

- ▶ **1" Dial Size**
- ▶ **± 5.0% Full Scale Accuracy**
- ▶ **Stainless Steel Case & Stem**
- ▶ **Plastic Stem Protector with Pocket Clip**

The Trerice **Pocket Bimetal Thermometer** is designed to deliver temperature indications for general and informal testing purposes. This thermometer has a hermetically sealed stainless steel case with a plain connection and comes complete with a plastic stem protector with pocket clip.

For correct use and application of all bimetallic thermometers, please refer to Bimetallic Actuated Thermometer Standard ASME B40.3.

HOW TO ORDER

Sample Order Number: **B811 05 13**

Model	Stem Length	Range Code
B811	05 5" Stem	11 -20° to 120°F (20° Figure intervals / 2° Minor Divisions)
		13 0° to 220°F (20° Figure intervals / 2° Minor Divisions)
		15 50° to 500°F (50° Figure intervals / 5° Minor Divisions)
		18 0° to 120°C (10° Figure intervals / 1° Minor Divisions)
		20 0° to 250°C (50° Figure intervals / 2° Minor Divisions)

All dimensions are nominal. Dimensions in [] are in millimeters

