

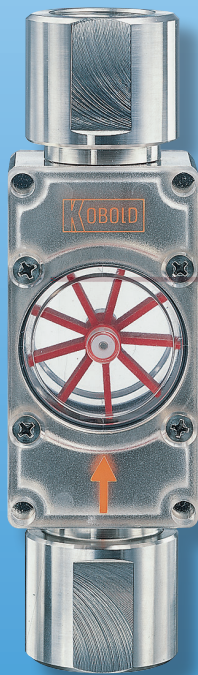
Paddle Wheel Flow Indicator

For Liquids



measuring
•
monitoring
•
analyzing

DAF



- Clearly Visible Flow Indication
- Low Minimum Indicated Flow
- Rotatable, Even During Operation
- Suitable for a Large Variety of Media
- Universal Mounting
- 4 Different Material Combinations



KOBOLD companies worldwide:

ARGENTINA, AUSTRIA, BELGIUM, BULGARIA, CANADA, CHILE, CHINA, COLOMBIA, CZECH REPUBLIC, EGYPT, FRANCE, GERMANY, GREAT BRITAIN, HUNGARY, INDIA, INDONESIA, ITALY, MALAYSIA, MEXICO, NETHERLANDS, PERU, POLAND, ROMANIA, SINGAPORE, SOUTH KOREA, SPAIN, SWITZERLAND, TAIWAN, THAILAND, TUNISIA, TURKEY, USA, VIETNAM

KOBOLD Instruments, Inc.
1801 Parkway View Drive
Pittsburgh, PA 15205
☎ Main Office:
1.800.998.1020
☎ 1.412.788.4890
info@koboldusa.com
www.koboldusa.com



Paddle Wheel Flow Indicator Model DAF

Description

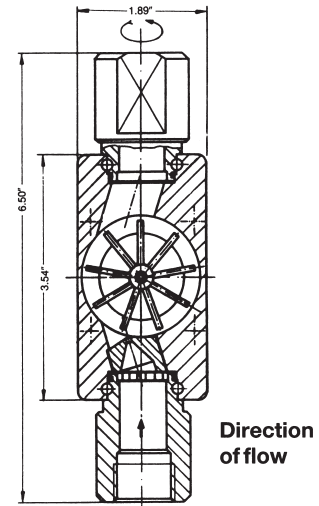
The KOBOLD DAF Series paddle-wheel flow indicator is recommended whenever visual flow indication (without flow measurement) is required. The construction of the DAF paddle-wheel flow indicator is simple. A rectangular housing with two transparent windows contains a paddle wheel, which is set into motion by the flowing media. The clearly visible, rotating paddle wheel provides visual indication of flow. Flow ranges are varied by changing the inlet port orifice allowing use of the same size housing for all flow ranges. The DAF flow indicator can be installed in any position, as long as the flow remains in the direction of the arrow on the housing. Connections are available in 1/8" NPT thru 1-1/2" NPT, with a wide choice of materials for media compatibility. The DAF flow indicator may be rotated along its long axis, even during operation due to the rotatable fittings (except for Material Combination IV), allowing the windows to be aligned for optimal visibility.



Material Combination

Material Combination	I	II	III	IV
Housing	Trogamid	Polysulfone	Ni-plated-Brass	SS
Housing Cover	Trogamid	Polysulfone	Polysulfone	Polysulfone
Connection	Ni-plated Brass	SS	Ni-plated Brass	SS
Locking Pins (not wetted)	Brass	Brass	Brass	—
O-rings	NBR	FKM	NBR	FKM
Paddle Wheel	POM	PTFE	POM	PTFE
Axle	304 SS	304 SS	304 SS	304 SS
Axle Bearing	PTFE	PTFE	PTFE	PTFE
Max. Operating Pressure	145 PSI	145 PSI	235 PSI	235 PSI
Max. Operating Temperature	140 °F	230 °F	230 °F	230 °F

Dimensions



Order Details (Example: DAF-5406B)

Flow Range Water (GPH)	Max. Press. Drop (PSI)	Orifice Diameter (Inch)	Fitting (NPT)	Material Combination / Model Number				Options
				I	II	III	IV*	Special conn. NPT Suffix "B"
0.16...1.6	18	0.019	1/8"	DAF-5101	DAF-5201	DAF-5301	DAF-5401	1/4"
0.6...5.0	15	0.039	1/8"	DAF-5102	DAF-5202	DAF-5302	DAF-5402	1/4"
3.2...48	10	0.078	1/8"	DAF-5103	DAF-5203	DAF-5303	DAF-5403	1/4"
8...190	7	0.197	1/4"	DAF-5104	DAF-5204	DAF-5304	DAF-5404	1/2"
16...400	3	0.315	1/2"	DAF-5105	DAF-5205	DAF-5305	DAF-5405	3/4"
32...800	2	0.492	3/4"	DAF-5106	DAF-5206	DAF-5306	DAF-5406	1"
105...2400	15	0.728	1 1/4"	DAF-5107	DAF-5207	DAF-5307	DAF-5407	1 1/2"

* Connections for material combination IV are non-rotatable.