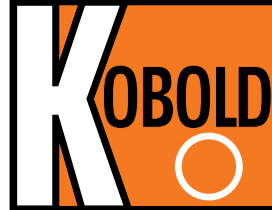




Zertifiziertes  
QM-System  
DIN EN ISO 9001  
Zertifikat-Nr. 01017

## Rotating-Vane Flow Indicator for Liquids



measuring  
•  
monitoring  
•  
analysing



- Display range:  
0.5-12...3-80 L/min water
- $p_{\max}$  16 bar,  $t_{\max}$  80 °C
- Housing materials:  
aluminium bronze,  
stainless steel, PP



KOBOLD offices exist in the following countries:

ARGENTINA, AUSTRIA, BELGIUM, BRAZIL, CANADA, CHINA,  
FRANCE, GERMANY, GREAT BRITAIN, ITALY, MEXICO, NETHERLANDS,  
PERU, POLAND, SWITZERLAND, USA, VENEZUELA

KOBOLD Messring GmbH  
Nordring 22-24  
D-65719 Hofheim/Ts.  
☎ (06192) 299-0  
Fax (06192) 23398  
E-mail: info.de@kobold.com  
Internet: www.kobold.com

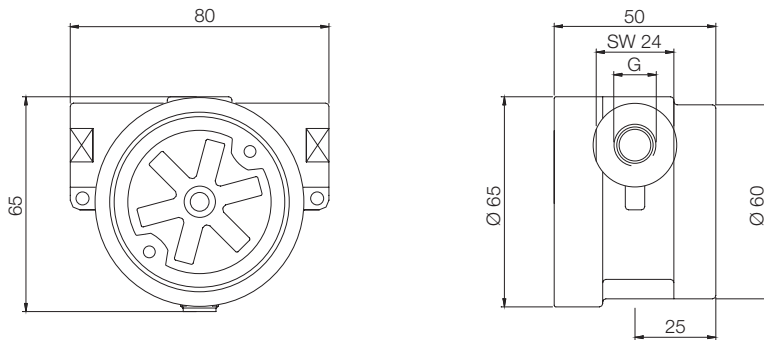
**Model:**  
DIG

**Materials**

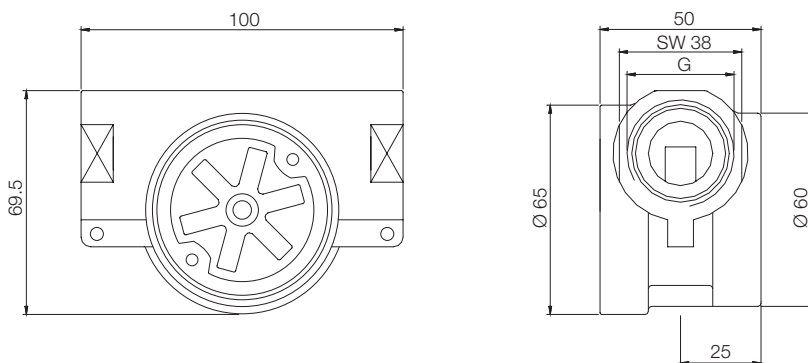
	DIG-11	DIG-14	DIG-18
Housing:	aluminium bronze	stainless steel (1.3955)	Polypropylene
Cover:	Polysulfone	Polysulfone	Polysulfone
Seal:	NBR	FPM	NBR
Vane wheel:	Polypropylene	Polypropylene	Polypropylene
Axle:	Ceramic	Ceramic	Ceramic
p <sub>max</sub> :	16 bar	16 bar	7 bar
t <sub>max</sub> :	80 °C	80 °C	80 °C

**Dimensions**

DIG-...06, DIG-...08, DIG-...15



DIG-...20, DIG-...25



**Order details** (example: **DIG-1105 R06**)

Display range		Model			Connection	
L/min water	Δ P (bar)*	DIG-11...	DIG-14...	DIG-18...	Standard	Special
0.5...12	1	DIG-1105...	DIG-1405...	DIG-1805...	R06 = G 1/8 IG	N06 = 1/8 NPT
1...25	1	DIG-1110...	DIG-1410...	DIG-1810...	R08 = G 1/4 IG	N08 = 1/4 NPT
2...45	1	DIG-1120...	DIG-1420...	DIG-1820...	R15 = G 1/2 IG	N15 = 1/2 NPT
2...50	1	DIG-1130...	DIG-1430...	DIG-1830...	R20 = G 3/4 IG	N20 = 3/4 NPT
3...80	1	DIG-1135...	DIG-1435...	DIG-1835...	R25 = G 1 IG	N25 = 1 NPT

\*at max. flow