

**SWK
FLOWMETERS AND SWITCHES**



Flow
Pressure
Level
Temperature
measurement
monitoring
control

S1



- **Switching Range: 0.05-0.1 to 13-24 l/min. Water**
- **Repeatability: $\pm 2.5\%$ f.s.**
- **Pmax 250 bar, Tmax 100°C**
- **Connection: G 1/2**
- **Material: Brass, Stainless Steel, PVC**
- **Adjustable Switch or Switch with Indicator**



USA

KOBOLD Instruments Inc.
1801 Parkway View Drive
USA-Pittsburgh, PA 15205
☎ +1 412-788-2830
Fax +1 412-788-4890
E-mail: info@koboldusa.com



CANADA

KOBOLD Instruments Canada Inc.
9A Aviation
Pointe-Claire, QC H9R 4Z2
☎ +1-514-428-8090
Fax +1-514-428-8899
E-mail: kobold@kobold.ca

Visit KOBOLD Online at
www.kobold.com

Model:
SWK

Features

- Switching Range: 0.05-0.1 to 13-24 l/min. Water
- Repeatability: ±2.5% f.s.
- Pmax 250 bar, Tmax 100°C
- Connection: 1/2" BSP
- Material: Brass, Stainless Steel, PVC
- Adjustable Switch or Switch with Indicator

Description:

KOBOLD flow meters and switches of model SWK operate on the known suspended float principle, however without the use of a conical measuring tube. A float with orifice moves in the direction of flow against the force of a spring in a cylindrical guide tube. The float contains a permanent magnet which operates an adjustable setpoint contact mounted on the outside. The SWK series is compact and can be mounted in any orientation. Model SWK flow switches are ideally suited for monitoring low flows in applications where low cost and high reliability are critical.

Specifications:

Wetted Materials:

Brass Housings: Ni-Plated Brass, ceramic, 301 SS

Stainless Steel

Housings: 304 SS, 301 SS, ceramic

PVC Housings: PVC, 301 SS, ceramic

Connections: 1/2" BSP female

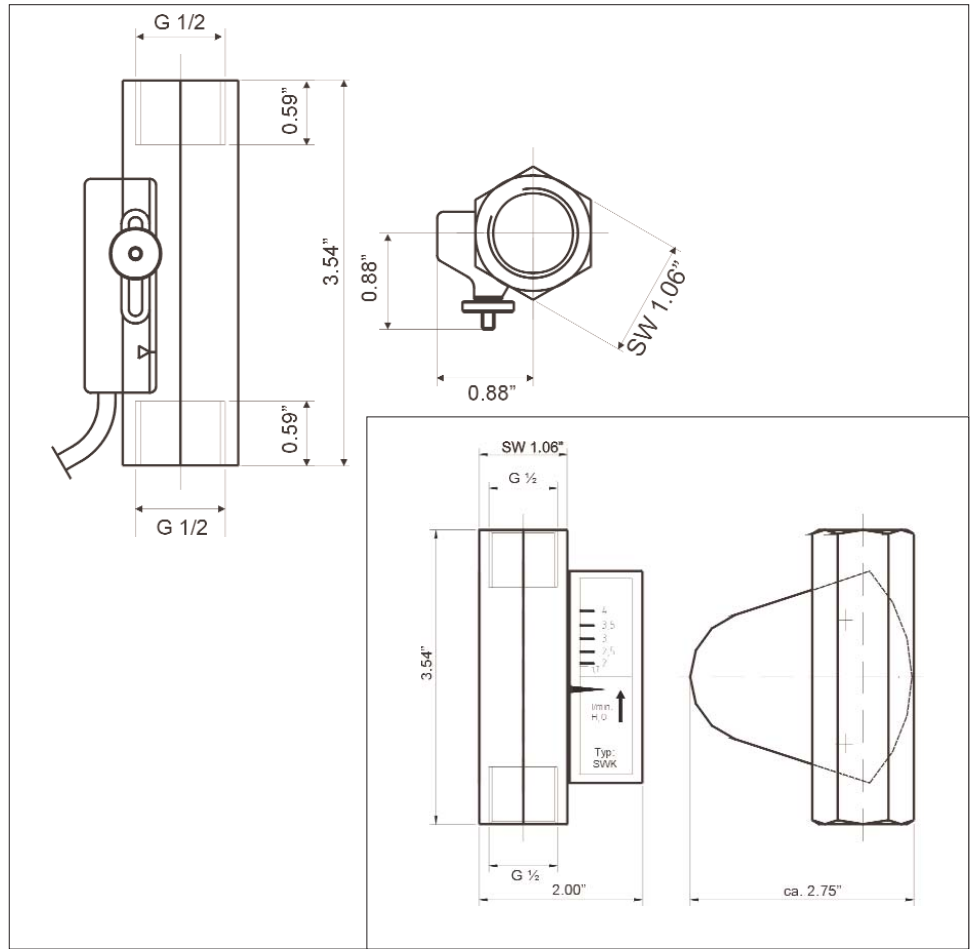
Maximum

Temperature: Brass & SS: 210°F
PVC: 140°F

Maximum

Pressure: Brass & SS: 3600 PSIG

Dimensions



Installation: Any orientation

Switch Type: bistable reed contact
SPST normally open

Switch Rating: Max. 230 VAC
60 watt

Electrical Conn.: 3 foot PVC cable

Repeatability: ≤2.5% (contact)
±4% (indicator)

Electrical Protection: NEMA 4/IP 65

Order Information						
Switching Range l/min. water	Connection Female BSP	Flow Switch			Flowmeter and Switch	
		Material Brass	Material Stainless Steel	Material PVC	Material Brass	Material Stainless Steel
0.05-0.1	1/2"	SWK 1101	SWK 1201	-	SWK 2101	SWK 2201
0.1-0.2	1/2"	SWK 1102	SWK 1202	-	SWK 2102	SWK 2102
0.2-0.8	1/2"	SWK 1108	SWK 1208	SWK 1308	SWK 2108	SWK 2208
0.5-1.8	1/2"	SWK 1118	SWK 1218	SWK 1318	SWK 2118	SWK 2218
1.7-4	1/2"	SWK 1140	SWK 1240	SWK 1340	SWK 2140	SWK 2240
4-9	1/2"	SWK 1190	SWK 1290	SWK 1390	SWK 2190	SWK 2290
8-16	1/2"	SWK 1116	SWK 1216	SWK 1316	SWK 2116	SWK 2216
13-24	1/2"	SWK 1124	SWK 1224	SWK 1324	SWK 2124	SWK 2224