



Omni® Ball Valves

Standard Features (Sizes 3/8" – 3")

- Blocks in two directions
- Rugged structure
- Unibody construction
- Compact, low profile, short face-to-face dimensions
- PTFE seat backed by EPDM for low stem torque
- Rated for full vacuum service

Options

- Electrically actuated

Pressure vs. Temperature (PSI, WATER, NON-SHOCK)

NOMINAL SIZE		PVC		CPVC		
		30° F	120° F	30° F	121° F	141° F
INCHES	mm	120° F	120° F	140° F	175° F	195° F
3/8-2	13-50	150	150	120	90	60
3	80	150	150	120	90	60

Sample Specification

All OMNI® ball valves size 3/8" - 3" shall be of one-piece compact design non-union type. All O-rings shall be EPDM with PTFE seats. Seats must have elastomeric backing cushions of the same material as the valve seals. PVC conforming to ASTM D1784 Cell Classification 12454-A, and CPVC conforming to ASTM D1784 Cell Classification 23567-A. Valve shall be rated 150 psi at 70°F, as manufactured by Asahi-America, Inc.

Dimensions (Sizes 3/8" – 3")

NOMINAL SIZE		SOCKET				THREADED				NOMINAL SIZE				SOCKET		NOMINAL SIZE		Cv	
		ASTM SCH 40			L	d1			l					L	d				A
INCHES	mm	d1	d2	l		d1	l	L		d	A	D	D1			h	INCHES	mm	
3/8	13	0.687	0.671	0.59	3.35	3/8-18 NPT	0.59	3.35	0.51	2.36	1.22	1.38	1.65	3/8	13	0.22	3/8	13	7.7
1/2	15	0.848	0.836	0.69	3.82	1/2-14 NPT	0.59	3.82	0.59	2.76	1.22	1.38	1.73	1/2	15	0.26	1/2	13	14
3/4	20	1.058	1.046	0.72	4.02	3/4-14 NPT	0.67	4.06	0.79	3.15	1.46	2.17	2.17	3/4	20	0.55	3/4	20	29
1	25	1.325	1.310	0.87	4.49	1-11 1/2 NPT	0.79	4.45	0.98	3.15	1.77	2.36	2.36	1	25	0.88	1	25	47
1 1/4	32	1.670	1.655	0.94	5.00	1 1/4-11 1/2 NPT	0.87	5.00	1.22	3.74	2.13	2.76	2.76	1 1/4	32	1.21	1 1/4	30	72
1 1/2	40	1.912	1.894	1.09	5.98	1 1/2-11 1/2 NPT	0.98	5.94	1.38	4.33	2.50	2.99	2.99	1 1/2	40	1.32	1 1/2	40	140
2	50	2.387	2.369	1.16	6.93	2-11 1/2 NPT	1.10	6.97	1.77	4.33	3.01	3.31	3.31	2	50	2.20	2	50	185
3	80	3.516	3.492	1.87	9.29	3-8 NPT	1.17	9.29	2.70	7.87	4.25	4.88	4.88	3	80	6.61	3	80	410

Specifications

- Sizes:** 3/8" – 3"
Models: Socket and Threaded
Bodies: PVC, CPVC
Seats: PTFE backed with EPDM
Seals: EPDM

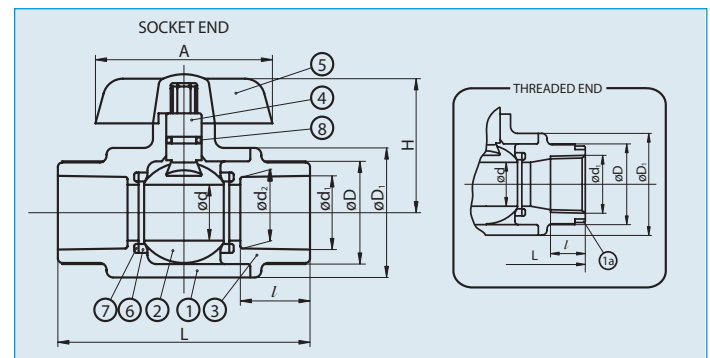
**Sizes 3/8" - 3" PVC/EPDM Models
NSF-61 Certified**

Omni® is a Trademark of Asahi/America, Inc.

Parts List (Sizes 3/8"– 3")

PARTS			
NO.	DESCRIPTION	PCS.	MATERIAL
1	Body	1	PVC, CPVC
2	Ball	1	PVC, CPVC
3	End Connector	1	PVC, CPVC
4	Stem	1	PVC, CPVC
5	Handle	1	ABS
6	Seat	2	PTFE
7	Cushion	2	EPDM, Others
8	O-Ring	1	EPDM, Others
1a	Ring*	2	304 Stainless Steel

*Used for CPVC body, threaded end, 1/2"– 1"



Weight (LBS.) Cv Values