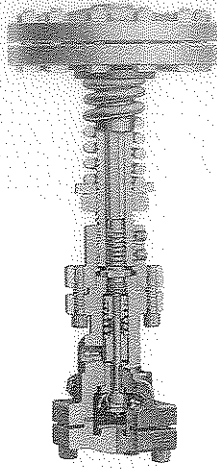


CONTROL PRODUCTS INC.  
1668 HEADLAND DR.  
FENTON, MO. 63026  
(314) 343-9501

SPENCE ENGINEERING COMPANY, INC.  
Walden, New York

## PRESSURE SAFETY PILOT



Pressure Safety Pilot

The SPENCE Pressure Safety Pilot is designed to prevent an accidental rise in delivery pressure from a reducing valve. It is applicable to all SPENCE Pressure Regulators having Type E or C series Main Valves.

The Safety Pilot must not be considered as a substitute for a pop safety valve. Its function is to take over the pressure control in the event of failure of the pressure pilot. It is usually set 5 to 10 psi above the normal delivery pressure.

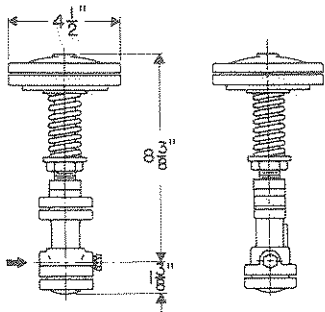
If the Main Valve is protected by an approved Strainer, a Safety Pilot makes it practically impossible for the Regulator to fail open.

Pilot Bodies are suitable for maximum inlet conditions as follows:

- Cast Bronze..... 300 psi 500 F
- Cast Steel..... 600 psi 750 F

Other Materials:

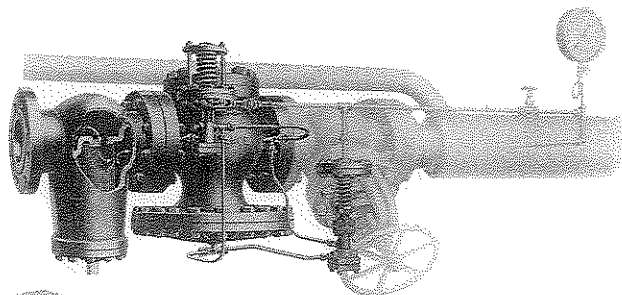
- Seat and Disc.....Stainless Steel
- Stem.....Stainless Steel
- Diaphragm..... Laminated Bronze
- Springs.....Tempered Steel



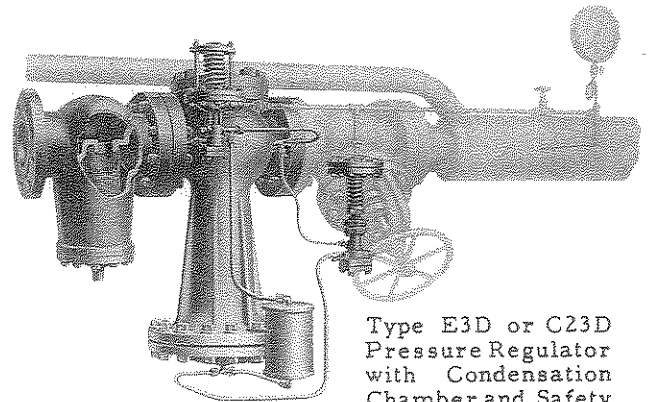
Roughing-in Dimensions  
(weight 8 lb)

Operating pressure ranges, determined by choice of Control Spring, are as follows:

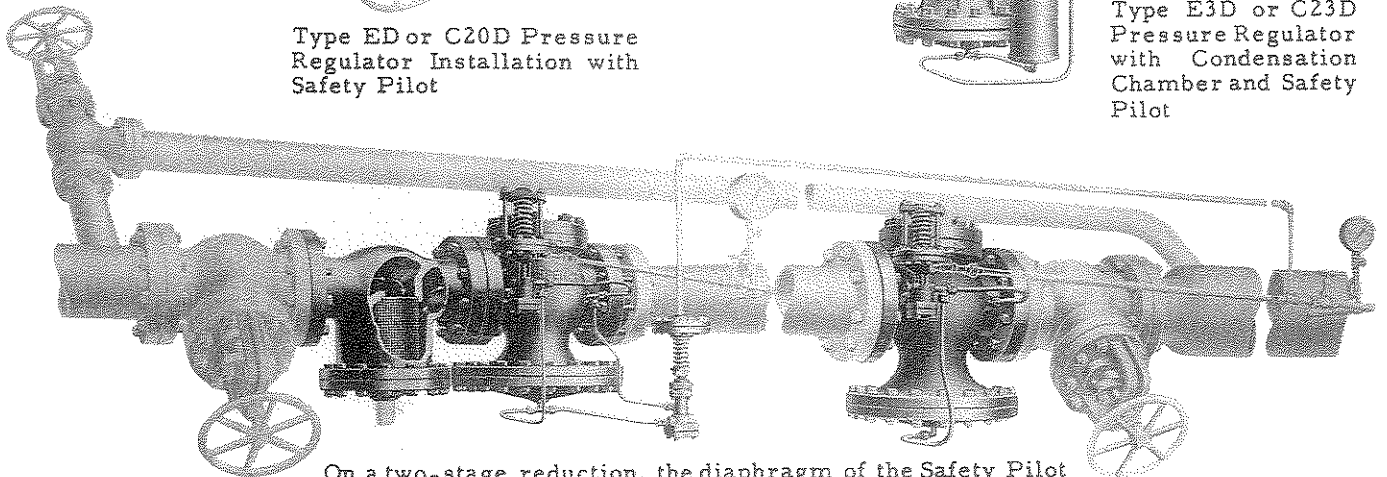
- 5 to 30 psi                      66 to 175 psi
- 31 to 65 psi



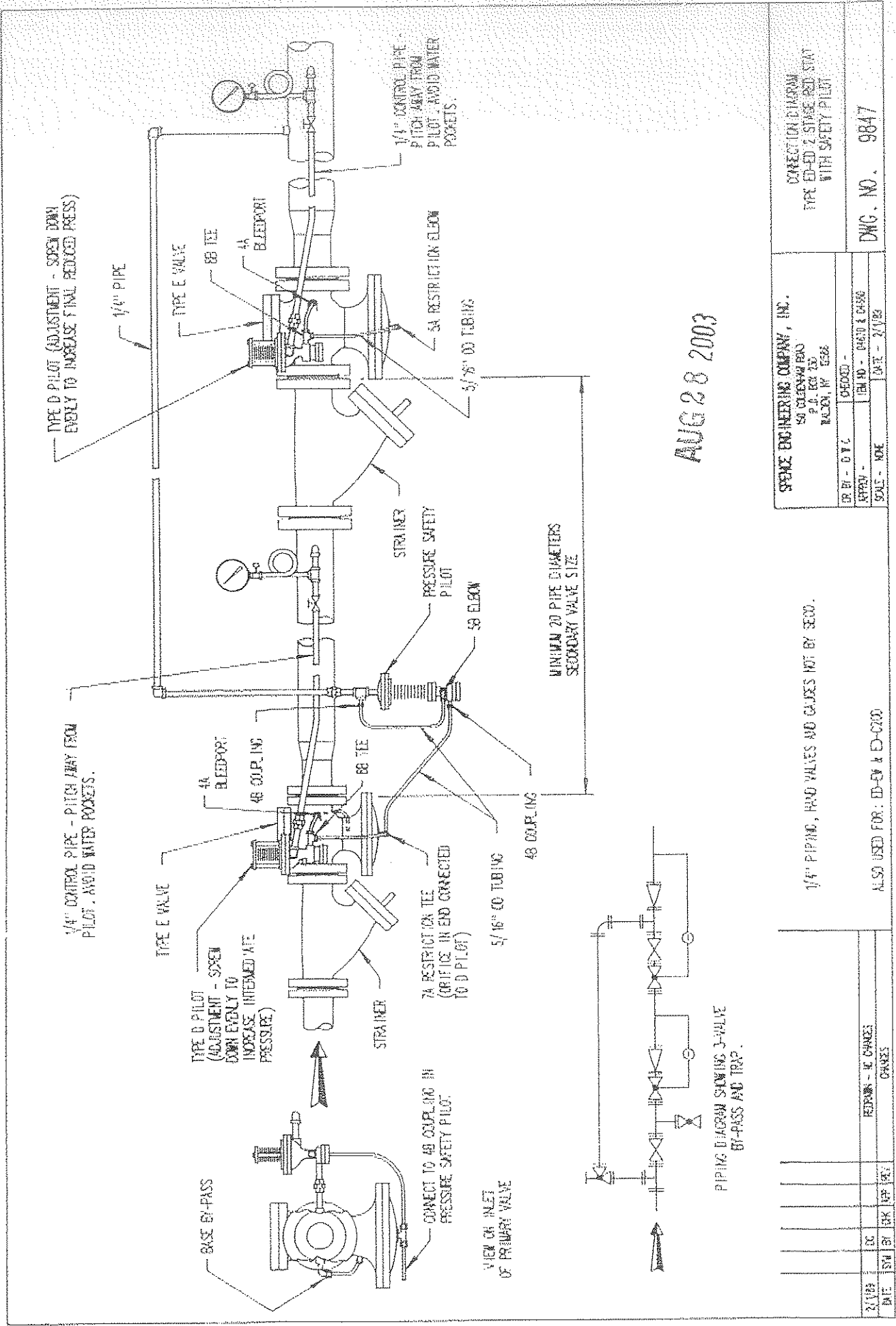
Type ED or C20D Pressure Regulator Installation with Safety Pilot



Type E3D or C23D Pressure Regulator with Condensation Chamber and Safety Pilot



On a two-stage reduction, the diaphragm of the Safety Pilot is connected to the final reduced pressure. If, for any reason, the Secondary Regulator should fail, the Safety Pilot will take over the control so that the Primary Regulator will make a one-stage reduction to the pressure for which the Safety Pilot is set.

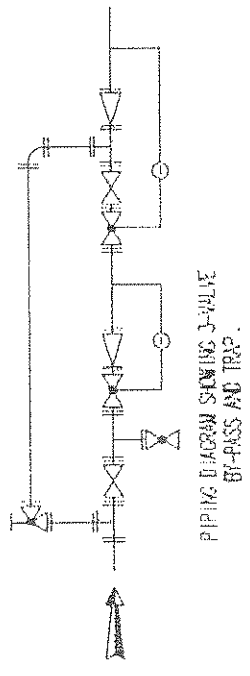


AUG 28 2003

SPENCE ENGINEERING COMPANY, INC.		CORRECTION DIAGRAM	
50 CLEVELAND RD P.O. BOX 230 MADISON, NY 13366		TYPE ED-ED 2 STAGE RED. STAT WITH SAFETY PILOT	
DR BY - D.V.C.	DRAWN BY -	DWG. NO. 9847	
APPROV -	EN 40 -	DATE - 2/1/88	
SCALE - NONE	EN 40 -	EN 40 - 0450	

1/4" PIPING, HAND VALVES AND GAUGES NOT BY SECO.  
ALSO USED FOR: ED-DV & ED-ODD

DATE	BY	CHK	APP	REV	DESCRIPTION



MINIMUM 20 PIPE DIAMETERS  
SECONDARY VALVE SIZE